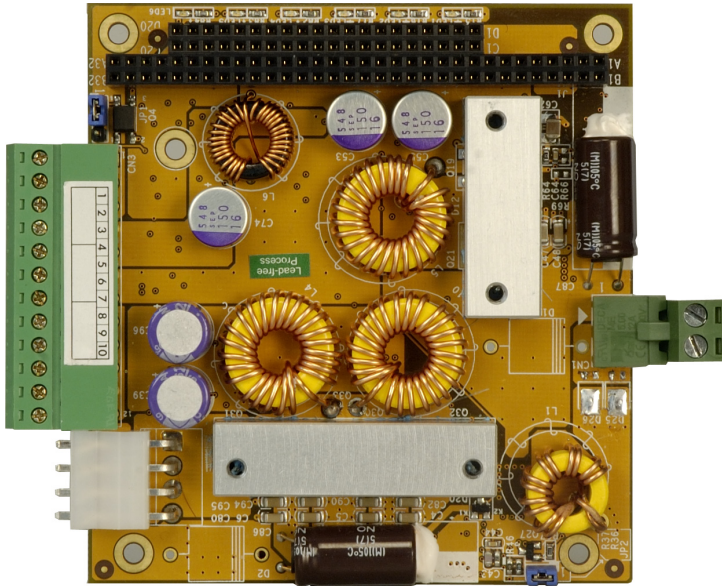


PM-P001

PC/104 100W DC to DC Converter Module



Features

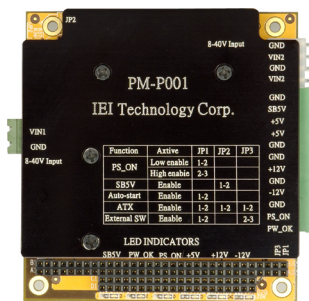
1. High Efficiency up to 96%
2. Over Voltage Protection
3. Over Current Protection
4. Input Power Protection
5. Short Circuit Protection
6. Low Quiescent Current
7. Low EMI & RFI
8. RoHS Compliant
9. Remote On/Off
10. AT or ATX mode
11. Non-Isolated Type

Specifications

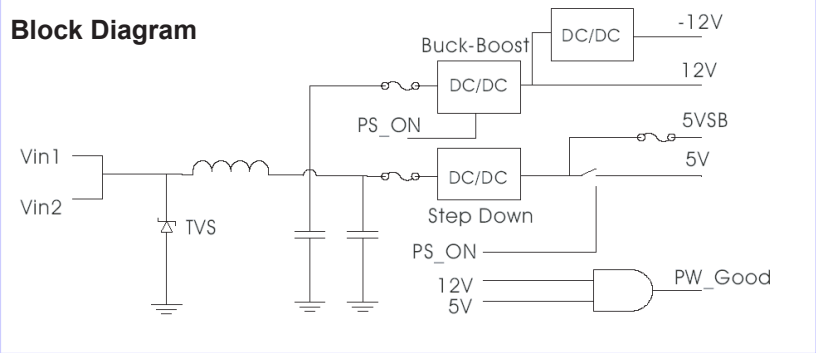
- ◆ Output: 5V@12A
12V@2.5A
5VSB@1A
-12V@ 500mA
- ◆ Input: 8VDC to 36VDC
- ◆ Operation Temperature: -40°C ~ 85°C
- ◆ Dimension: 3.775" X 3.55"
- ◆ Weight: GW: 440g; NW: 178g

- ◆ Performance Characteristics
Line Regulation: <40mV*
Load Regulation:<150mV
Efficiency: up to 95%
Quiescent Current:<1mA**
- * Measure on 5V output
- ** Disable LEDs and 5VSB

PM-P001 with Heatsink



Block Diagram



Packing

- 1 x PM-P001
- 1 x Manual

Ordering Information

Part No.	Description
PM-P001-R10	100W DC/DC 8-36VDC Input 12V, 5V, -12V, 5VSB Output



Headquarters
IEI Technology Corp.
 TEL : +886-2-86916798 FAX : +886-2-66160028
 sales@ieiworld.com www.ieiworld.com
 No. 29, Jhongsing Rd., Sijhih City, Taipei County, 221, Taiwan

America-United States
IEI Technology USA Corp.
 TEL : +1-562-690-6677 FAX : +1-562-690-0898
 sales@usa.ieiworld.com www.usa.ieiworld.com
 515 N. Puente St., Brea, CA 92821

China
Armorlink SH Corp.
 TEL : +86-021-54429000 FAX : +86-021-54429100
 sales@ieiworld.com.cn www.ieiworld.com.cn
 No.515, Shenfu Road, Minhang District, Shanghai, China