



Main Features

- Intel® Celeron® Processor N3150
- Integrated Intel HD graphics
- Support 4K2K video out
- Dual SO-DIMM slots for up to 8GB of DDR3L 1600 memory
- WWAN/WLAN/TV Tuner support
- 2.5" HDD/SSD and NGFF dual storage
- Remote management (DASH)

Product Overview

NDiS M335 OPS player, which follows the electrical and mechanical specifications of the Open Pluggable Specification, is based on Intel® Celeron® Processor N3150 (formerly codenamed "Braswell"). NDiS M335 can be plugged into any OPS-compliant display devices to render rich multimedia contents. Thanks to the modular and cable-less, NDiS M335 OPS player satisfies the need for quick deployment and hassle-free maintenance of large digital signage network dispersed in different geographical locations.

Powered by future generation Intel® processor, the NDiS M335 OPS player with integrated new Intel graphic engine can support 4K2K and Microsoft DirectX 11.1. Taking advantage of the latest Intel technology, NDiS M335 can accelerate 3D rendering, image processing and video decoding to provide targeted audience highly personalized information base on the result of audience measurement to deliver accurate marketing messages.

Specifications

CPU Support

- Intel® Celeron® Processor N3150 Quad Core 1.6GHz SoC processor

Graphic

- Integrated Intel® HD graphics

Main Memory

- 2 x 204 pin SO-DIMM socket, support DDR3L 1600MHz with unbuffered and non-ECC SDRAM up to 8GB

I/O Interface-Front

- 1 x Power button
- 1 x Reset button
- 1 x HDD LED
- 2 x USB3.0
- 2 x USB2.0
- 2 x HDMI (HDMI2 support 4K2K output)
- 1 x Mic-in
- 1 x Line-out
- 1 x 2.5" HDD/SSD slot
- 1 x RJ45 with LEDs for Gigabit LAN
- 2 x antenna hole

I/O Interface-Rear

- 1 x TMDS

- 1 x Audio out L/R
- 2 x USB2.0
- 1 x USB3.0
- DC input +12V~+19V
- Control signals (PWR_STATUS, PS_ON#, PB_DET, CEC, SYS_FAN)

Storage Device

- 1 x 2.5" SATA storage bay for HDD/SSD
- 1 x NGFF(M2) B key slot, support 2242 SSD, SATA interface

Expansion

- 1 x mini-PCIe for optional WWAN/WLAN/TV tuner module
- 1 x SIM slot

Dimensions

- 200mm (W) x 119mm (D) x 30mm (H) (7.8" x 4.7" x 1.1")

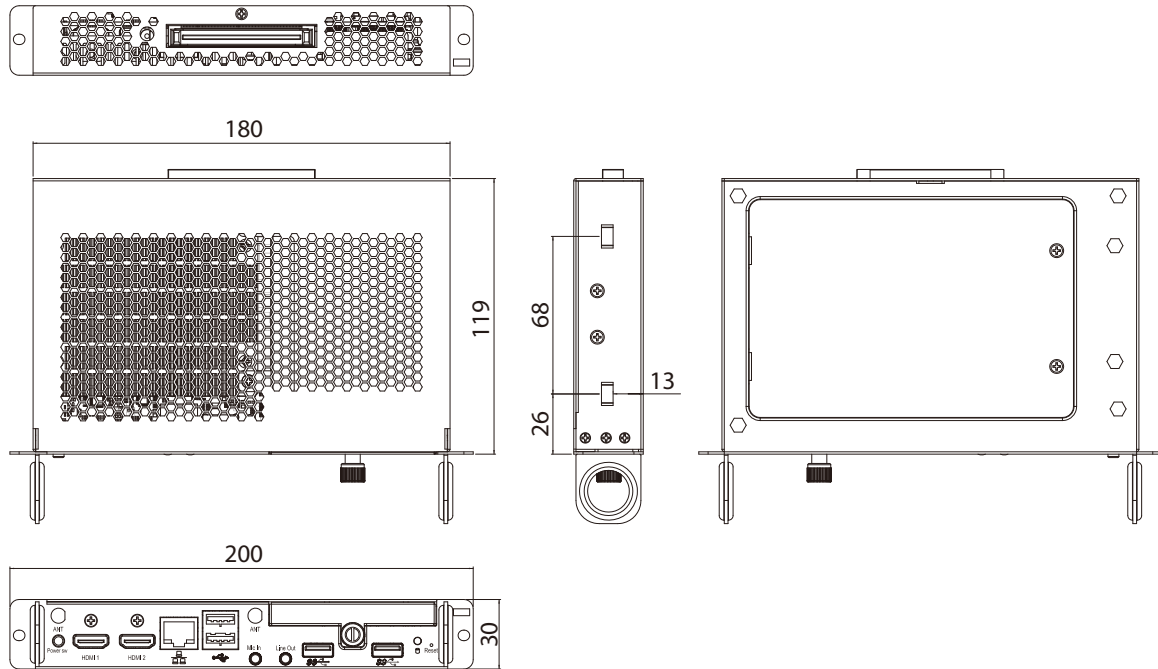
Power Power Supply

- 1 x DC power input +12v ~ +19V

Environment

- Operating temperature:
Ambient with air flow from 0°C ~ 45°C
- Storage temperature: -20°C ~ 80°C
- Humidity: 10 to 90% (non-condensing)

Dimension Drawing



Certification

- CE approval
- FCC Class A

Operating System

- Win 7/WES7/Win8.1(64bit)/WE8S/Linux

Ordering Information

- ♦ **NDIS M335 (P/N: 10W00M33500X0)**
Intel® Celeron® N3150 processor SoC OPS