

# NDiS M535

Embedded Computer Powered by 6th Gen. Intel® Core™ Processor  
OPS-based Digital Signage Platform, Support 4K2K Resolution



## Main Features

- 6th generation Intel® Core™ Processor
- Intel® integrated HD 530 graphic engine
- Support 3 independent 4K2K video out
- Dual DDR4 SO-DIMM support
- WWAN/WLAN/TV Tuner support
- DirectX® 12 support

## Product Overview

NDiS M535 is an OPS-compliant media player powered by 6th generation Intel® Core™ processors. Following open pluggable standard, NDiS M535 can perfectly fit into a myriad of OPS-panels and is compact in size. Yet, NDiS M535 has high scalability, allowing for easy storage capacity expansion through pluggable 2.5" storage unit and effortless functional extension through Mini Card expansion modules. Changing system memory is also made simple. In addition, NDiS M535 leverages the future generation Intel® Core™ processors to deliver outstanding graphics support 3 independent 4K2K video output. The superb but power-efficient NDiS M535 can therefore maximize visual impacts for digital signage applications.

## Specifications

### CPU Support

- 6th generation Intel® Core™ i5-6440EQ BGA type processor

### Chipset

- Intel® QM170 PCH

### Graphic

- New generation integrated HD graphics

### Main Memory

- 2 x 206-pin SO-DIMM Sockets, Supports DDR4 1866/2133 MHz non-ECC, un-buffered memory up to 16G(Single socket max. 8GB)

### I/O Interface-Front

- 1 x Power button with LED
- 1 x Reset button
- 1 x RJ45 with LEDs for Gigabit LAN
- 1 x HDMI2.0 (A type), 1 x Mini DP
- 2 x USB3.0
- 1 x 2.5" HDD/SSD slot
- 1 x HDD Active LED
- 2 x Antenna hole
- 1 x Mic-in phone jack
- 1 x Line-out phone jack

### I/O Interface-Rear

- 1 x TMDS(HDMI)
- 1 x USB3.0

- 2 x USB2.0
- 1 x Display Port
- 1 x UART (TX/RX)
- 1 x Audio out L/R
- DC input +12V~+19V
- Control signals (PWR\_STATUS, PS\_ON#, PB\_DET, CEC, SYS\_FAN)

### Storage Device

- 1 x SATA 2.5" HDD/SSD

### Expansion

- 1 x mini-PCIe for optional WLAN/TV tuner module
- 1 x SIM slot

### Dimensions

- 200mm (W) x 119mm (D) x 30mm (H) (7.8" x 4.7" x 1.1")

### Power Power Supply

- DC power input +12V ~ +19V

### Environment

- Operating temperature: ambient with air flow from 0°C to 45°C
- Storage temperature: -20°C to 80°C
- Humidity: 10 to 90% (non-condensing)

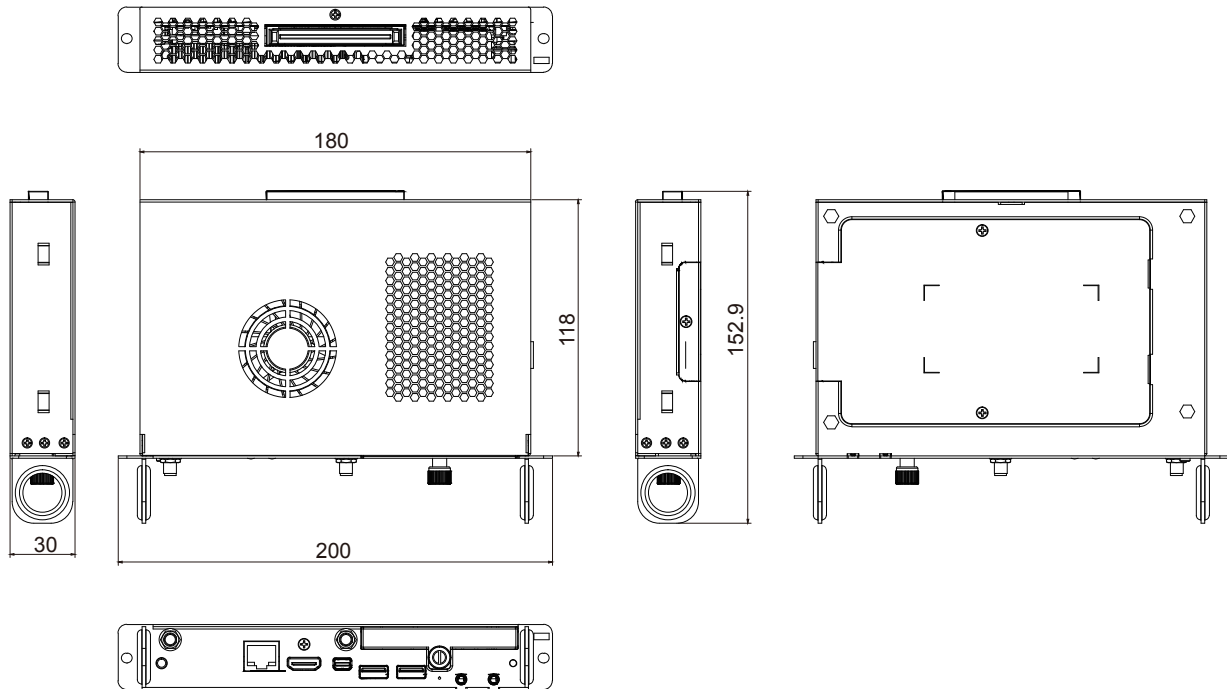
### Certification

- CE/FCC Class A

### Operating System

- Windows 7(32/64bit)/Windows 8.1(64bit)/Windows 10 (64bit)/Linux

## Dimension Drawing



## Ordering Information

- **NDiS M535 (P/N: 10W00M53500X0)**  
6th generation Intel® Core™ i5-6440EQ BGA type processor OPS, Intel® QM170 chipset