

**AFL3-W15A-BT**

Intel® Celeron® J1900 (Quad Core, 2.0 GHz)

**AFL3-W15B-H81**

Intel® Core™ i7/i5/i3, Pentium® and Celeron®

**AFL3-W15C-ULT3**

Intel® Core™ i5 and Celeron® ULT Processor



**Features**

- W15" light industrial interactive panel PC
- 9 V ~ 30 V wide range DC power input
- Selectable AT/ATX power mode
- Built-in speakers
- One mSATA slot
- IP64 compliant front panel
- IEI One Key Recovery solution allows you to create rapid OS backup and recovery (suggested with over 4GB storage capacity)



**Specifications**

| Model                  |   | AFL3-W15A-BT  | AFL3-W15B-H81   | AFL3-W15C-ULT3  |                                     |
|------------------------|---|---|---|---|-------------------------------------|
| LCD                    | Size  | 15.6"   |   |   |                                     |
|                        | Resolution  | 1366 x 768 (16:9)   |   |   |                                     |
|                        | Brightness (cd/m <sup>2</sup> )   | 400   |   |   |                                     |
|                        | Contrast Ratio  | 500:1   |   |   |                                     |
|                        | LCD Color   | 16.2M   |   |   |                                     |
|                        | Pixel Pitch (mm)  | 0.240 (H) x 0.240 (V)   |   |   |                                     |
|                        | Viewing Angle (H-V)   | 170° / 160°   |   |   |                                     |
|                        | Backlight MTBF(hrs)   | 50000 (LED backlight)   |   |   |                                     |
| Touch Screen           | 5-wire resistive type with RS-232 interface / projected capacitive type with USB interface  |   |   |   |                                     |
| Touch Controller       | PenMount DMC9000 / EETI EXC3188   | PenMount DMC9000 / EETI EXC7200   | PenMount DMC9000 / EETI EXC3188   |   |                                     |
| Motherboard            | CPU   | Intel® Celeron® J1900 (quad core, 2 GHz)  | Intel® Core™ i7/i5/i3, Pentium®, Celeron® processor (TDP 35W)   | 6th Generation Intel® Core™ i5 and Celeron® on-board processor  |                                     |
|                        | Chipset   | Intel® H81  |   |   |                                     |
|                        | RAM   | One 204-pin 1333 MHz single-channel DDR3L SDRAM, 2GB pre-installed (system max. 8GB)  | Two 204-pin 1333 MHz single-channel DDR3L SDRAM, 4GB pre-installed (system max. 16GB)   | Two 260-pin 2133/1867 MHz dual-channel DDR4 SO-DIMMs (system max. 32 GB)                                |                                     |
|                        | Ethernet  | 2 x PCIe GbE by RTL8111E controller   |   |   | 2 x Intel® I211 PCIe GbE controller |
|                        | Audio Codec   | ALC892  |   |   |                                     |
| Storage                | (1) 1 x mSATA (2) 1 x 2.5" SATA 3Gb/s HDD bay   |   |   | (1) 1 x 2.5" SATA 3Gb/s HDD bay<br>(2) 1 x M.2 M key PCIe storage (2280 or 22110)<br>(3) 1 x mSATA slot |                                     |
| I/O Ports & Switch     | 1 x RS-232 COM port (RJ-45 connector)<br>1 x RS-232/422/485 COM port (DB-9 connector) (RI/5V/12V)<br>2 x USB 2.0<br>2 x USB 3.0<br>2 x GbE LAN<br>1 x Power switch<br>1 x Reset button<br>1 x AT/ATX switch<br>1 x Audio port (line-out)<br>1 x 9-30V lockable power jack | 1 x RS-232 COM port (DB-9 connector)<br>1 x RS-232/422/485 COM port (DB-9 connector) (RI/5V/12V)<br>2 x GbE LAN<br>4 x USB 2.0<br>2 x USB 3.0<br>1 x HDMI output<br>1 x Power switch<br>1 x Reset button<br>1 x AT/ATX switch<br>1 x Audio port (line-out)<br>1 x 9-30V lockable power jack | 1 x RS-232 by DB-9 (RI/5V/12V)<br>1 x RS-232/422/485 by DB-9 (RI/5V/12V)<br>2 x GbE LAN<br>4 x USB 3.0<br>1 x HDMI output<br>1 x Power switch<br>1 x Reset button<br>1 x AT/ATX switch<br>1 x 9-30V lockable power jack |   |                                     |
| E-Window Expansion     | Yes, optional   | N/A   | Yes, optional   |   |                                     |
| Audio                  | AMP 3W + 3W (internal speakers)   |   |   |   |                                     |
| Camera and Microphone  | 2-megapixel with low light function, digital microphone   |   |   |   |                                     |
| Wireless & Bluetooth   | IEEE 802.11a/b/g/n/ac (PCIe Mini slot)  | IEEE 802.11a/b/g/n/ac, Bluetooth v4.0 (PCIe Mini slot)  | IEEE 802.11a/b/g/n/ac, Bluetooth v4.0 (M.2 slot)  |   |                                     |
| OSD Function           | Software OSD  |   |   |   |                                     |
| Physical               | Front Panel Construction  | PC + ABS Plastic  |   |   |                                     |
|                        | Mounting  | Panel, Wall, Rack, Stand and Arm VESA 75mm x 75mm / 100mm x 100mm   |   |   |                                     |
|                        | Color   | Black C   |   |   |                                     |
|                        | Dimensions (WxHxD) (mm)   | 396 x 250 x 53  | 396 x 250 x 59  | 396 x 250 x 64  |                                     |
|                        | Cut-out Dimensions (WxH) (mm)   | 273 x 226   | 369 x 226   | 369 x 226   |                                     |
| Net/Gross Weight (kgs) | 3.3/5.6   | 3.74/5.74   | 4.5/6.5   |   |                                     |
| Environment            | Operating Temperature (°C) (Ambient with air flow)  | -20°C~50°C  | 0°C~50°C  | -20°C~50°C  |                                     |
|                        | Storage Temperature (°C)  | -20°C~60°C  |   |   |                                     |
|                        | Humidity  | 10% to 95% (non-condensing)   |   |   |                                     |
|                        | IP Level  | IP 64 compliant front panel   |   |   |                                     |
|                        | Safety & EMC  | CE / FCC  |   |   |                                     |
| Power                  | Thermal Solution  | Fanless   | Smart Fan   | Fanless   |                                     |
|                        | Power Requirement   | 9 V ~ 30 V  |   |   |                                     |
|                        | Power Consumption   | 12V@4.16A (Intel® J1900 CPU with 2GB 1333 MHz DDR3 memory)  | 12V@6.33A (Intel® Pentium® G3320TE CPU with 4GB 1333 MHz DDR3L memory)  | 12V@.6A (Intel® Core™ i5-6300U CPU with 4GB DDR4 2133 MHz DDR4 memory)                                  |                                     |

## Ordering Information

### ● Intel® Celeron® Platform

| Part No.                  | Description  |
|---------------------------|--|
| AFL3-W15A-BT-J1/PC/2G-R12 | Wide 15.6" 400 cd/m <sup>2</sup> 1366 x 768 fanless panel PC with Intel® Celeron® J1900 quad core 2 GHz, 802.11a/b/g/n/ac, projected capacitive touch screen, 2GB DDR3L RAM, 2-megapixel camera, microphone, R12 |
| AFL3-W15A-BT-J1/R/2G-R12  | Wide 15.6" 400 cd/m <sup>2</sup> 1366 x 768 fanless panel PC with Intel® Celeron® J1900 quad core 2 GHz, 802.11a/b/g/n/ac, resistive touch window, 2GB DDR3L RAM, 2-megapixel camera, microphone, R12            |

### ● Intel® H81 Platform

| Part No.                   | Description   |
|----------------------------|---|
| AFL3-W15B-H81-P/R/4G-R10   | Wide 15.6" 400 cd/m <sup>2</sup> 1366 x 768 panel PC with Intel® H81 chipset, Intel® Pentium® G3320TE dual-core processor (2.3 GHz), TDP 35W, two 2GB DDR3 RAM, 802.11a/b/g/n/ac, resistive touch screen, 2-megapixel camera, microphone, R10 |
| AFL3-W15B-H81-i3/R/4G-R10  | Wide 15.6" 400 cd/m <sup>2</sup> 1366 x 768 panel PC with Intel® H81 chipset, Intel® Core™ i3-4330TE dual-core processor (2.4 GHz), TDP 35W, two 2GB DDR3 RAM, 802.11a/b/g/n/ac, resistive touch screen, 2-megapixel camera, microphone, R10  |
| AFL3-W15B-H81-i5/R/4G-R10  | Wide 15.6" 400 cd/m <sup>2</sup> 1366 x 768 panel PC with Intel® H81 chipset, Intel® Core™ i5-4570TE dual-core processor (2.7 GHz), TDP 35W, two 2GB DDR3 RAM, 802.11a/b/g/n/ac, resistive touch screen, 2-megapixel camera, microphone, R10  |
| AFL3-W15B-H81-P/PC/4G-R10  | Wide 15.6" 400 cd/m <sup>2</sup> 1366 x 768 panel PC with Intel® H81 chipset, Intel® Pentium® G3320TE dual-core processor (2.3 GHz), TDP 35W, two 2GB DDR3 RAM, 802.11a/b/g/n/ac, PCAP touch screen, 2-megapixel camera, microphone, R10      |
| AFL3-W15B-H81-i3/PC/4G-R10 | Wide 15.6" 400 cd/m <sup>2</sup> 1366 x 768 panel PC with Intel® H81 chipset, Intel® Core™ i3-4330TE dual-core processor (2.4 GHz), TDP 35W, two 2GB DDR3 RAM, 802.11a/b/g/n/ac, PCAP touch screen, 2-megapixel camera, microphone, R10       |
| AFL3-W15B-H81-i5/PC/4G-R10 | Wide 15.6" 400 cd/m <sup>2</sup> 1366 x 768 panel PC with Intel® H81 chipset, Intel® Core™ i5-4570TE dual-core processor (2.7 GHz), TDP 35W, two 2GB DDR3 RAM, 802.11a/b/g/n/ac, PCAP touch screen, 2-megapixel camera, microphone, R10       |

### ● Intel® Skylake ULT3 Platform

| Part No.                    | Description   |
|-----------------------------|---|
| AFL3-W15C-ULT3-C/R/4G-R10   | Wide 15.6" 400 cd/m <sup>2</sup> 1366 x 768 panel PC with with Intel® 14nm 6th generation mobile Celeron® 3955U (15W) on-board processor (ULT), one 4GB DDR4 RAM, 802.11a/b/g/n/ac Wi-Fi module, resistive touch, 2-megapixel camera, microphone, R10 |
| AFL3-W15C-ULT3-i5/R/4G-R10  | Wide 15.6" 400 cd/m <sup>2</sup> 1366 x 768 panel PC with Intel® 14nm 6th generation mobile Core™ i5-6300U (15W) on-board processor (ULT), one 4GB DDR4 RAM, 802.11a/b/g/n/ac Wi-Fi module, resistive touch, 2-megapixel camera, microphone, R10      |
| AFL3-W15C-ULT3-C/PC/4G-R10  | Wide 15.6" 400 cd/m <sup>2</sup> 1366 x 768 panel PC with with Intel® 14nm 6th generation mobile Celeron® 3955U (15W) on-board processor (ULT), one 4GB DDR4 RAM, 802.11a/b/g/n/ac Wi-Fi module, PCAP touch, 2-megapixel camera, microphone, R10      |
| AFL3-W15C-ULT3-i5/PC/4G-R10 | Wide 15.6" 400 cd/m <sup>2</sup> 1366 x 768 panel PC with Intel® 14nm 6th generation mobile Core™ i5-6300U (15W) on-board processor (ULT), one 4GB DDR4 RAM, 802.11a/b/g/n/ac Wi-Fi module, PCAP touch, 2-megapixel camera, microphone, R10           |

## Options

| Item   | AFL3-W15A-BT  | AFL3-W15B-H81   | AFL3-W15C-ULT3  |
|--|---|---|---|
| Panel Mounting Kit                                     | AFL3PK-W15A-R10   | AFL3PK-W15A-R10   | AFL3PK-W15A-R10   |
| Wall Mounting Kit                                      |   | AFLWK-19B   |   |
| Rack Mounting Kit                                      | AFL3RK-W15A-R11   | AFL3PK-W15B-R11   | AFL3RK-W15C-R10   |
| Arm  |   | ARM-11-RS/ARM-31-RS   |   |
| Stand  | STAND-A21-R10/ STAND-210-R11/STAND-A19-RS/STAND-C19-R10                                     |   |   |
| Magnetic Card Reader                                   |   | AFL3P-W10MSR-U-R10  |   |
| Barcode Scanner  |   | AFL3-2D-R10   |   |
| RFID Reader (13.56 MHz Mifare Type) (for ATO assembly) | AFL3-MF-RFID-KIT02-R10**  | AFL3-MF-RFID-KIT02-R10  | AFL3-MF-RFID-KIT02-R10  |
| *OS: Win 7 Embedded (64-bit)                           | AFL3-W07A-BT-WES7P64-R11 (for PCAP touch)<br>AFL3-W07A-BT-WES7E64-R11 (for resistive touch) | AFL3-W15B-H81-WES7P64-R10 (for PCAP touch)<br>AFL3-W15B-H81-WES7E64-R10 (for resistive touch) | AFL3-W15C-ULT3-WES7P64-R10 (for PCAP touch)<br>AFL3-W15C-ULT3-WES7E64-R10 (for resistive touch) |
| *OS: Win 8 Embedded (64-bit)                           | AFL3-W07A-BT-WE8S64-R10   |   |   |
| *OS: Win 10 IoT Enterprise (64-bit)                    | AFL3-W07A-BT-W10E64-R10   |   |   |

\*\*RFID is supported after AFL3-xxA-BT R11 version

\*OS image with CD-ROM without storage

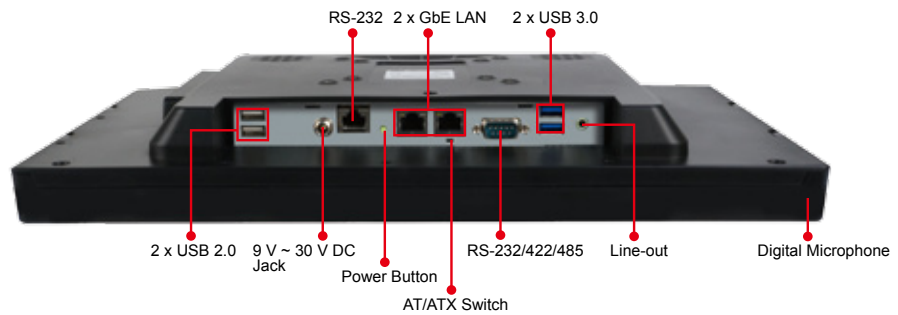
### E-Window (for ATO assembly)

| Part No.             | Description   | Supported Model   |
|----------------------|---|---|
| E-MPCIE-LAN-R10      | PCIe Mini card supports 1-port GbE with Realtek RTL8111E controller, with PMS 194C I/O bracket and 250mm cable, R10           | AFL3-W15A-BT-J1/PC/2G-R12<br>AFL3-W15A-BT-J1/R/2G-R12<br>AFL3-W15C-ULT3-C/R/4G-R10<br>AFL3-W15C-ULT3-i5/R/4G-R10<br>AFL3-W15C-ULT3-C/PC/4G-R10<br>AFL3-W15C-ULT3-i5/PC/4G-R10 |
| E-MPCIE-DLAN-R10     | PCIe Mini card supports 2-port GbE with Intel I211 controller, with PMS 194C I/O bracket and 250mm cable, R10                 | AFL3-W15A-BT-J1/PC/2G-R12<br>AFL3-W15A-BT-J1/R/2G-R12   |
| E-MPCIE-CClink-R10   | PCIe Mini card supports CC-Link Slave interface according to V2.0 and V1.1, with PMS black C I/O bracket and 250mm cable, R10 |   |
| E-MPCIE-PROFIBUS-R10 | PCIe Mini card supports universal PROFIBUS DP card for Master or Slave, with PMS black C I/O bracket and 250mm cable, R10     | AFL3-W15C-ULT3-i5/R/4G-R10<br>AFL3-W15C-ULT3-C/PC/4G-R10<br>AFL3-W15C-ULT3-i5/PC/4G-R10   |
| E-MPCIE-EtherCAT-R10 | PCIe Mini card supports universal Real-Time Ethernet protocols, with PMS black C I/O bracket and 280mm cable, R10             |   |
| E-MPCIE-3G-R10       | PCIe Mini card supports 3G WWAN module, with PMS 130C I/O bracket, RF antenna 300mm cable and GSM antenna cable, R10          |   |

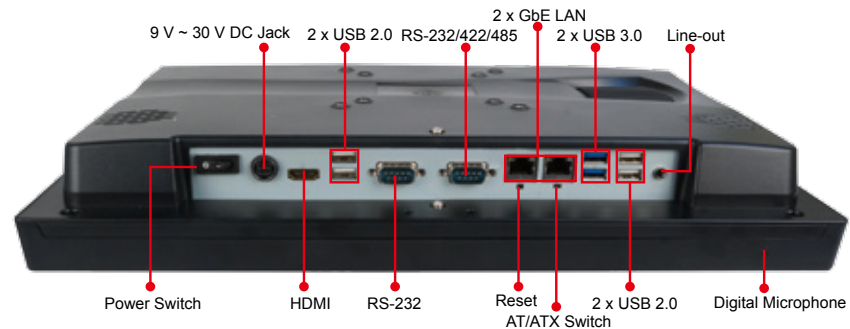
Packing List

| Item                                  | Part No.                          | Q'ty | Description                               |
|---------------------------------------|-----------------------------------|------|---|
| One Key Recovery DVD                  | 7B000-001083-RS                   | 1    |   |
| Round head machine screw              | 44003-020041-RS (W15A-BT/15B-H81) | 4    | M2*4 round head machine screw             |
| Pan head machine screw                | 44403-040061-RS                   | 4    | M4*6 pan head machine screw               |
| Fix holder                            | 46003-009500-RS                   | 2    |   |
| Power cord                            | 32702-000200-100-RS               | 1    |   |
| Power adapter                         | 63040-010060-120-RS (W15A-BT)     | 1    | 60W; Vin: 90V~264V AC; Vout: 12VDC        |
|                                       | 63040-010096-100-RS               | 1    | 96W; Vin: 90V~264V AC; Vout: 12VDC        |
| Driver CD                             |                                   | 1    |   |
| RJ-45 to DB-9 COM port transfer cable | 32005-000200-200-RS (W15A-BT)     | 1    | 300mm, 26AWG, (A) D-SUB 9 male, (B) RJ-45 |
| Touch pen                             | 43125-0002C0-00-RS                | 1    | Resistive touch screen only               |

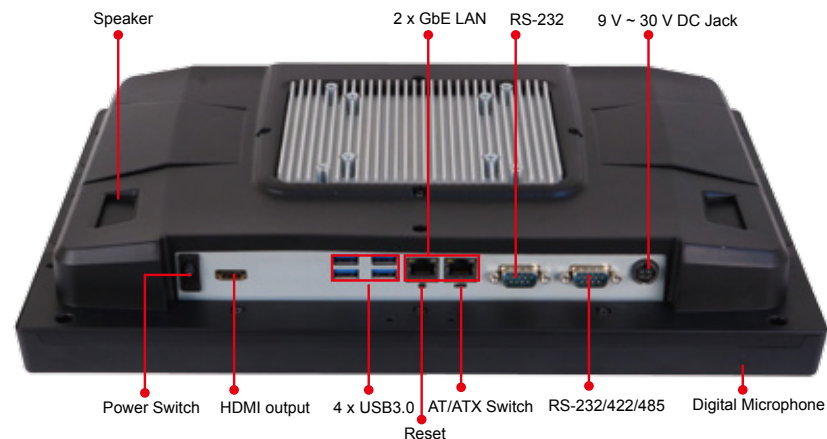
**AFL3-W15A-BT**  
Fully Integrated I/O



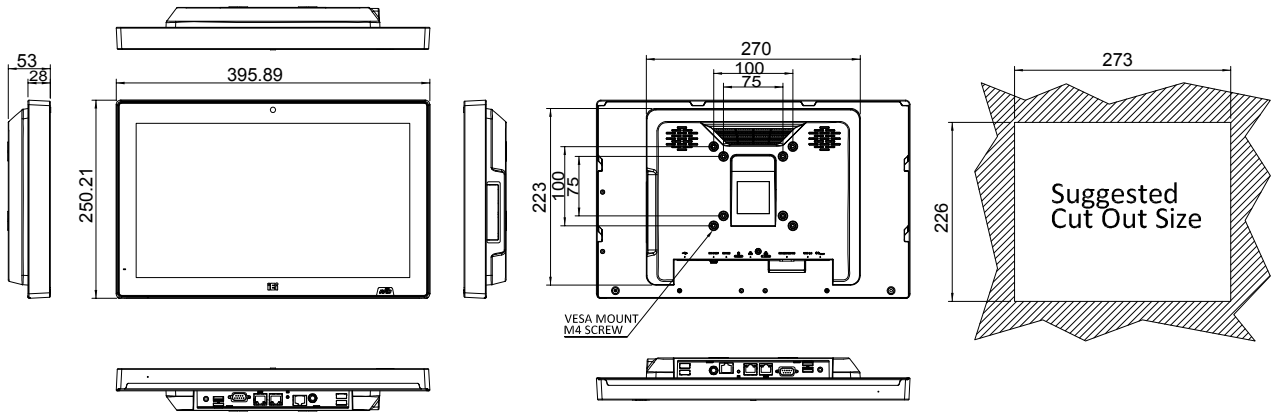
**AFL3-15B-H81**  
Fully Integrated I/O



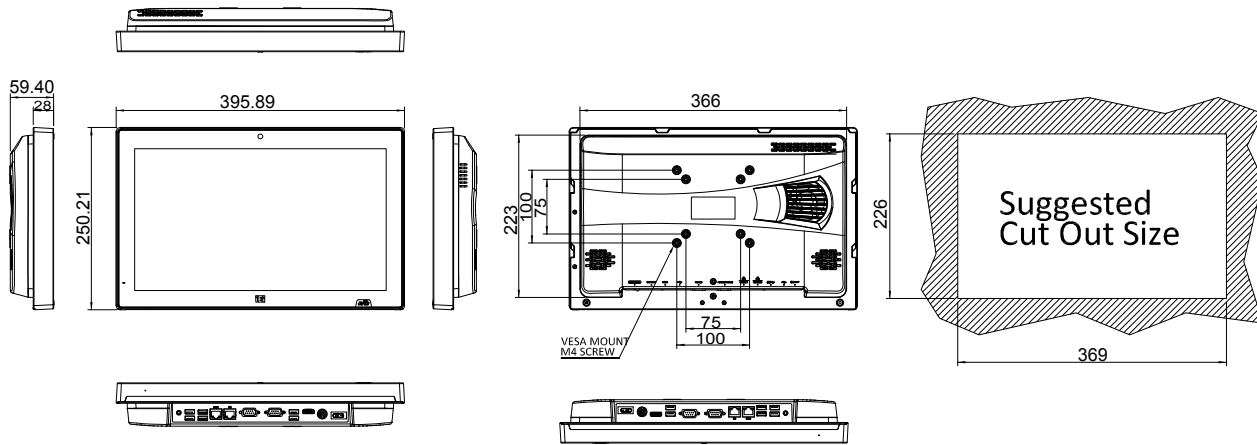
**AFL3-W15C-ULT3**  
Fully Integrated I/O



**AFL3-W15A-BT**  
Dimensions (Unit: mm)



**AFL3-W15B-H81**  
Dimensions (Unit: mm)



**AFL3-W15C-ULT3**  
Dimensions (Unit: mm)

