

WiFi 2.4/5.0GHz Adhesive Easyfit Antenna

EF-24-58

EF-24-58



Adhesive mount antenna

Fits to plastic devices or glass windshields

Dual band WiFi 2.4/5.0GHz

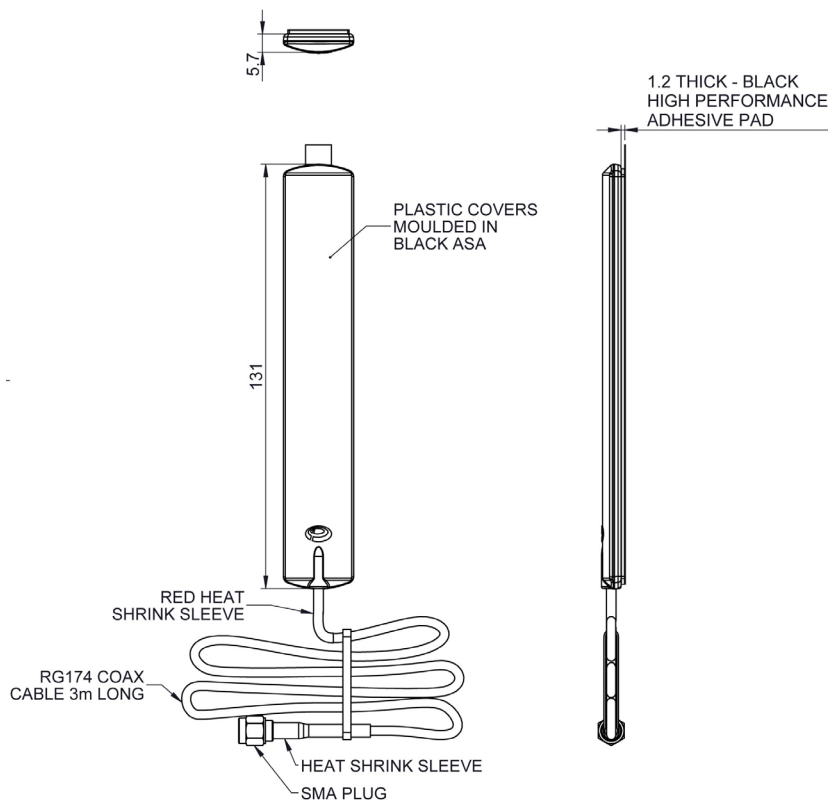
EF-24-58 is a range of highly efficient and easy to install antennas for providing WiFi coverage. These compact paddle style antennas are easily positioned on a device housing or vehicle windscreen using the supplied automotive industry grade adhesive pad.

The antenna is ground plane independent making it ideal for applications distributing or receiving WiFi signal. Covering 2.4/5.0GHz the EF-24-58 is designed to support the full range of WiFi frequencies.

The antenna is constructed from weather resistant plastic and is suitable for use in semi-exposed scenarios.

Technical Drawing

EF-24-58-3SP Shown



WiFi 2.4/5.0GHz Adhesive Easyfit Antenna

EF-24-58

Product Data

| Part No. | | EF-24-58-3SP | EF-24-58-3RPSP |
|------------------------|---------------------------------|------------------|----------------|
| Electrical Data | | | |
| Frequency Range (MHz) | 2396-2485/4.9-6GHz | | |
| Operational Bands | 2.4/5.0GHz WiFi | | |
| Typical VSWR* | <2:1 | | |
| Peak Gain: Isotropic** | 2.4GHz | 2dBi | |
| | 5.0GHz | 4dBi | |
| Polarisation | Vertical | | |
| Pattern | Omni-directional | | |
| Impedance | 50Ω | | |
| Max Input Power (W) | 10 | | |
| Mechanical Data | | | |
| Dimensions (mm) | Length | 131 (5.16") | |
| | Width | 21.7 (0.85") | |
| | Thickness | 7 (0.27") | |
| Material | ASA | | |
| Operating Temp (°C) | -30° / +70°C (-22° / 158°F) | | |
| Colour | Black | | |
| Approx. Weight (g) | 58 | | |
| Mounting Data | | | |
| Type | Acrylic adhesive pad | | |
| Cable Data | | | |
| Type | FR RG174 (UN ECE 118 compliant) | | |
| Diameter (mm) | 2.6 (0.10") | | |
| Length (m) | 3 (10') | 3 (10') | |
| Termination | SMA Plug | Rev Pol SMA Plug | |

*Typical VSWR as measured on a sheet of glass without cable ** Peak gain modelled in CST Microwave Studio excluding cable loss.

