



## Main Features

- IP65-rated rugged design
- Intel Atom® x7, 4c, 2.0GHz E3950 (Apollo-lake)
- 9~36VDC with ignition control
- Built-in GPS with optional dead reckoning
- Up to two WLAN or two 3G/LTE via 3 mini-PCIe slots
- Electrical isolation for CAN 2.0B & GPI/O
- Optional OBD function (SAE J1939/J1708)
- Rich and various GbE, USB 2.0, serial I/O and storages
- Compliant to E-mark and ISO 7637-2
- Compliant to MIL-STD-810G in vibration/shock

## Product Overview

MVS 2620-IP, an IP65-rated rugged enclosure, maintenance-free box computer, is ideal for data acquisition in extreme environments throughout a number of in-vehicle applications, like transportation, heavy duty and waste management, etc. All external interfaces, including Gigabit Ethernet, isolated CAN Bus and digit I/O, USB, and RS232/485 serial ports, are implemented on IP67-proof connectors for reliable data transmission in harsh and rugged environments.

MVS 2620-IP is a modular design, it is flexible to use other kinds of expansion boards to extend different I/O functions for quickly tailored to a vast number of applications. Inside the system, there're four mini-PCIe slots with three SIM card slots offering WLAN, 3G/LTE, CAN OBD (SAE J1708/J1939) or CVBS functionality. Besides, it can operate at temperatures from -30°C~70°C under fanless.

MVS 2620-IP supports 9~36VDC power input with ignition management and 12VDC at 2A maximum power output. It is compliant to E-mark and ISO 7637-2 in vehicle certificate and meet US military MIL-STD-810G, category 4, composite wheeled vehicle, for vibration and shock criteria.

## Specifications

### CPU

- Intel Atom® x7, 4C, 2.0GHz E3950 (Apollo Lake)

### Memory

- 204-Pin DDR3L SO-DMIM socket support 1600MHz up to 8GB, 4GB industrial grade memory in default

### Storage

- 1 x 2.5" SATA 3.0 SSD/HDD
- 1 x CFast (externally accessible)

### Expansion

- 1 x Full size mini-PCIe socket (USB 3.0/2.0)
- 1 x Full size mini-PCIe socket (USB 2.0)
- 1 x Full size mini-PCIe socket (USB 2.0 + PCIe)
- 1 x Half size mini-PCIe socket (USB 2.0 + PCIe)

### GPS and On Board Sensor

- 1 x Default U-blox NEO-M8N GNSS module for GPS/Glonass/QZSS/Galileo/Beidou
- Optional modules with dead reckoning available
- Built-in G-sensor

### Ethernet

- 2-Port 10/100/1000Mbps
- Controller: Intel® 1210-T1

### Security

- TPM 2.0

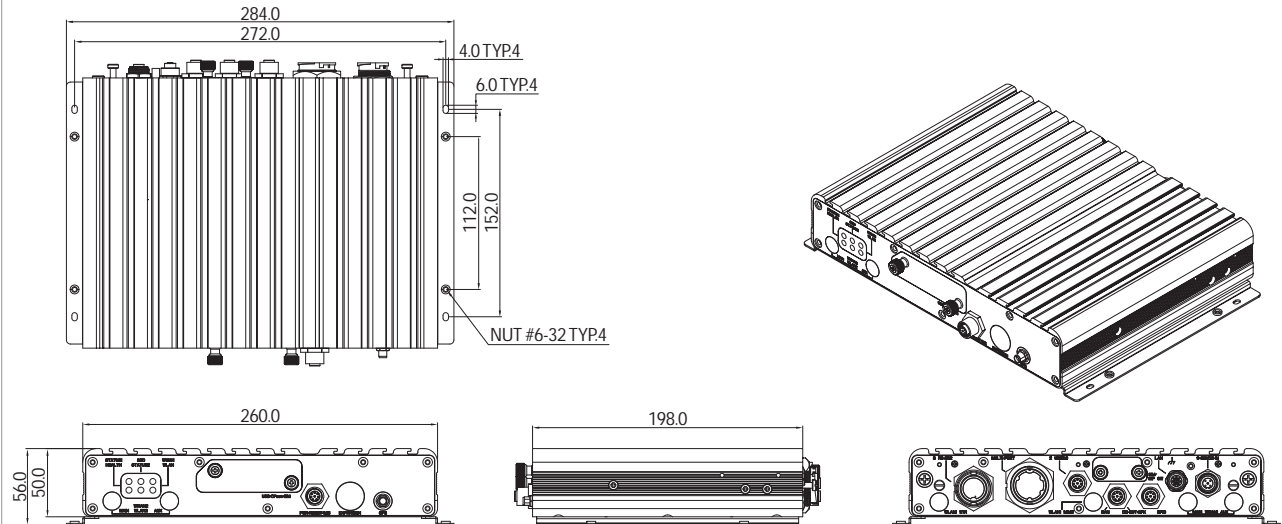
### I/O Interface-Front

- 6 x LED indicators for power/storage/WLAN/WWAN/status/health
- 1 x USB type A USB 2.0 port (w/lid)
- 1 x SIM slot (w/lid)
- 1 x Mic-in, 1 x Line-out, power & reset buttons for M12 connector
- 3 x Antenna holes for WWAN/GPS
- 1 x Expansion port (M12-type) reserved

### I/O Interface-Rear

- Circular 22-pin:
  - 3x RS-232 (two for full, RI/5V/12V selectable)
- M12 8-pin
  - 1 x GbE
- M12 8-pin
  - 2 x USB 2.0
- M12 12-pin
  - 3-Bit GPO & 3-bit GPI
  - iButton
- M12 12-pin:
  - 1 x Line-out

## Dimension Drawing



- DC12V-out, 2A max.
- OBD from optional VIOB-CAN-05/06 module (SAE J1708/J1939)
- 2 x CAN Bus 2.0B from optional VIOB-CAN-04 module
- Circular 31-pin:
  - 1 x VGA, resolution up to 2560 x 1600@60Hz
  - 1 x GbE
  - 2 x RS-485 (2-wire)
  - 1 x CAN 2.0B w/ isolation
- 6-Bit DIP switch (w/lid)
  - 3 x Digital inputs
    - Source-type: 9~36V-in (default)
    - External-type: 0~33VDC pull-high
    - Isolation
  - 3 x Digital outputs
    - Source-type: 9~36V-in (nominal 35 mA@24V) (default)
    - External 5~27VDC pull-high, sink current: typical 220mA for each bit, 500mA max. (@25°C)
    - Isolation
- Source or external selected by 6-bit DIP Switch
- 1 x SIM card socket (w/lid) and 1x internal SIM card socket selectable
- 4 x Antenna holes for WLAN/WWAN
- 1 x M12 S-code for 9~36VDC-IN

### Power Management

- Selectable boot-up & shut-down voltage for low power protection by software. Setting 8-level power on/off delay time by software. Support S3/S4 suspend mode

### Operating System

- Windows 10 64-bit only, Linux YOCTO

### Dimensions

- 260 x 198 x 50 (W x D x H) (mm) (10.24" x 7.80" x 1.97")
- 2.88kg

### Environment

- Operating temperatures
  - 30°C~70°C (w/industrial SSD) with air flow
- Storage temperatures: -40°C~80°C
- Relative humidity: 10%~90% (non-condensing)
- Vibration (random)
  - 1.2g@5~500 Hz (in operation, HDD), 2.5g@5~500 Hz (in operation, SSD)
- Vibration (SSD)
  - Operating: MIL-STD-810G, 514.6C, category 4
  - Storage: MIL-STD-810G, 514.6, category 24, minimum integrity test
- Shock (SSD/HDD)
  - Operating: MIL-STD-810G, Method 516.6, procedure I, functional shock=20g
  - Non-operating: MIL-STD-810G, Method 516.6, procedure V, crash hazard shock test=75g

### Certifications

- CE approval, FCC Class A, E13

## Ordering Information

### ♦ MVS 2620-IPK (P/N: 10VS0262000X0)

Intel Atom® 4c E3950 (Apollo-lake) 2.0GHz, 4GB DDR3L industrial grade, 2 x GbE, VGA output, 3 x RS-232, 2 x RS-485, 3 x USB 2.0, 12VDC output, 1 x CAN 2.0B

### ♦ Cables Kit (P/N: 10VS0262001X0)

External cables for all the communication ports