



VIP 1000-T

VIP 1000-R

## Main Features

- ♦ Full HD HDMI (1.4b) extender over IP
- ♦ 9-36VDC input voltage with ignition control
- ♦ E mark for in-vehicle application
- ♦ Plug and Play
- ♦ 2 x Full HD HDMI output
- ♦ Unicast, daisy chain and multicast modes support
- ♦ Selectable video source
- ♦ Up to 100 meter distance

## Product Overview

VIP 1000 (VIP 1000-T & VIP 1000-R) is a new 2K dual HDMI Extender over IP system for public transport applications that extends HDMI signals to over 100m and makes the broadcast of video in in-vehicle passenger information systems (PIS) and infotainment systems simpler and easier. To support even more displays, the receiver has another RJ-45 network port to act as an in-vehicle video DaisyChain extender. Furthermore, multiple transmitters can deliver different videos over the same network, and you can select the correct signal through a web interface.

## Specifications

### Transmitter: VIP 1000-T

#### I/O Interface-front

- ♦ 1 x Power button with LED
- ♦ 1 x LED for LAN (Active/Link)
- ♦ 1 x 10/100/1000 Mbps Ethernet
- ♦ 1 x HDMI type A
- ♦ 1 x USB2.0 OTG
- ♦ 1 x Reset button

#### I/O Interface-Rear

- ♦ 1 x Phoenix connector for power (9~36VDC)/GND/ignition input

### Receiver: VIP 1000-R

#### I/O Interface-front

- ♦ 1 x Power button with LED
- ♦ 2 x LED for LAN (Active/Link)
- ♦ 2 x 10/100/1000 Mbps Lan switch
- ♦ 1 x USB 2.0 type A
- ♦ 1 x Reset button
- ♦ 2 x buttons for video source selection
- ♦ 1 x Phoenix connector for power (9~36VDC)/GND/ignition input

#### I/O Interface-Rear

- ♦ 1 x HDMI Type A for main output
- ♦ 1 x HDMI Type A for second output

#### Power Management

- ♦ System power On/Off by ignition signal

#### Dimensions

- ♦ 130 mm (W) x 100 mm (D) x 31 mm (H)

#### Weight

- ♦ 0.5 kg

#### Environment

- ♦ Temperature Operating temperatures: 0°C to 70°C
- ♦ Storage temperatures: -40°C to 85°C
- ♦ Relative humidity: 90% (non-condensing)

#### Vibration & Shock

- ♦ Vibration
  - Operating: MIL-STD-810G, Method 514.6, Category 4, common carrier US highway truck vibration exposure
  - Storage: MIL-STD-810G, Method 514.6, Category 24, minimum integrity test
- ♦ Shock
  - Operating: MIL-STD-810G, Method 516.6, Procedure I, functional shock=40g
  - Non-operating: MIL-STD-810G, Method 516.6, Procedure V, crash hazard shock test=75g

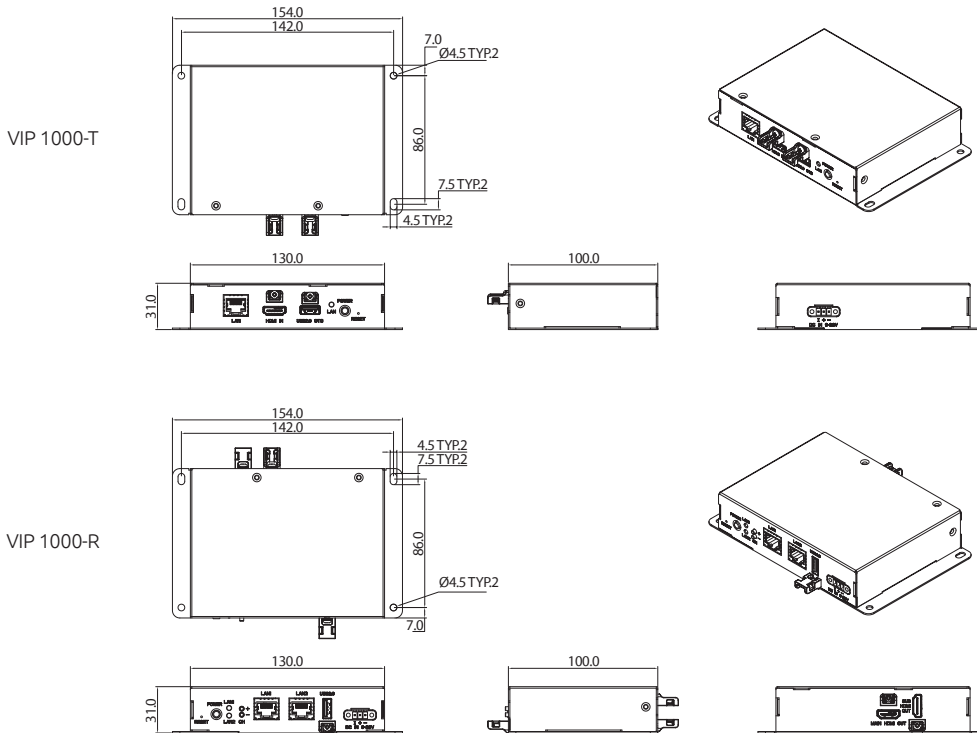
#### Certifications

- ♦ CE approval
- ♦ FCC Class A
- ♦ UKCA
- ♦ E13 mark

## Ordering Information

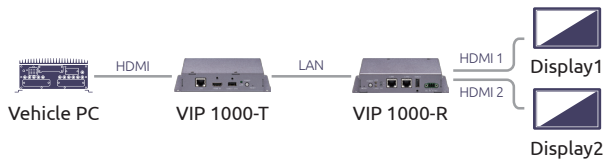
- ♦ **VIP 1000-T (P/N: 10V30100000X0)**  
Full HD HDMI extender over IP (Transmitter)
- ♦ **VIP 1000-R (P/N: 10V30100001X0)**  
Full HD dual HDMI extender over IP (Receiver)

## Dimension Drawing

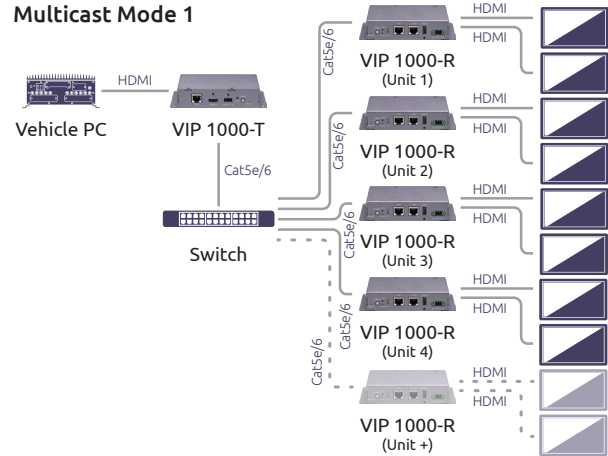


## System Diagram

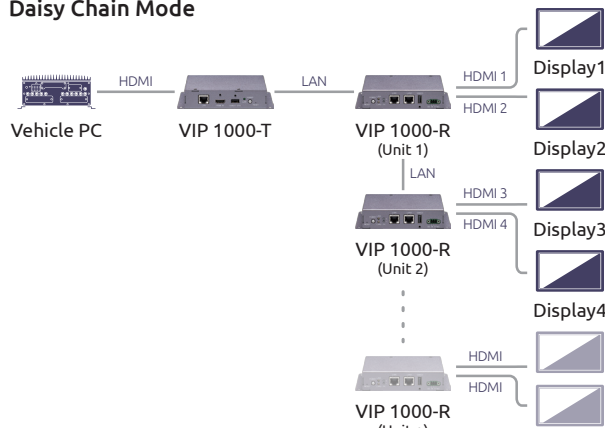
### Unicast Mode



### Multicast Mode 1



### Daisy Chain Mode



### Multicast Mode 2

