

# VTC 7260-5HBIoT/7HBIoT

Fanless AI-aided Vehicle Computer with  
Intel® Core™ 11th Gen CPU

**HAILO**  
Empowering Intelligence



## Main Features

- Intel® 11th Gen Tiger Lake UP3, cost-efficient performance
- Compact, rugged and fanless design
- Rich I/Os, 2 x 2.5GbE, GbE, 4 x USB 3.2/2.0 & 3 x RS232/422/485
- 1 x 2.5" SSD, 1 x mSATA and 1 x NVMe SSD for data integrity
- Up to 3 combinations of LTE/5G, Wi-Fi 5/6 for mobile router function
- Triple display, VGA, HDMI and DP for multi video-out
- 9~36V DC-IN with ignition control & OCP/OVP
- Wide range operating temperature of -30°C~65°C (15W TDP)
- Military standard of anti-vibration/shock for OHV applications
- CE/FCC, UKCA, Emark Certified

## Product Overview

VTC 7260-5HBIoT/7HBIoT is an in-vehicle AI-aided telematics computer designed with Intel 11th Gen. Tiger Lake UP3, which performs 25% more computing power than the former generation. Moreover, its 10-year product life-cycle policy can satisfy the long-term support suitable for any in-vehicle applications. With the compact, rugged, and fanless design, VTC 7260-5HBIoT/7HBIoT can widely be installed in any limited cabinet space with ease, and reduce the maintenance efforts while operating 24/7 services. In addition, the VTC 7260-5HBIoT/7HBIoT features diverse peripherals, such as 2.5GbE, USB 3.2, isolation CANBus, serial ports, ultra-speed NVMe storage, triple displays, audio in/out, DI/DO, and 9~36VDC with IGN control, making it a sophisticated in-vehicle computer.

To work as the edge AI, the user can install LTE/5G/Wi-Fi 5/6 modules along with Hailo AI accelerator (26TOPS) to deploy AI services, provided from cloud SaaS. In consideration of the harsh environment applications, VTC 7260-5HBIoT/7HBIoT can be operated at the temperature range of -30°C~65°C (15W TDP) and is compliant with MIL-STD-810G military standard for anti-vibration/shock. For the regulation, VTC 7260-5HBIoT/7HBIoT is compliant with CE/FCC Class A, UKCA, and EMARK (E13).

## Specifications

### CPU

- Intel® Core™ 11th Gen Tiger Lake UP3
- Core i5-1145GRE, base frequency 1.5GHz/ 2.6GHz, 4c, 8 MB Intel® Smart Cache ((VTC 7260-5HBIoT)
- Core i7-1185GRE, base frequency 1.8GHz/ 2.8GHz, 4c, 12 MB Intel® Smart Cache ((VTC 7260-7HBIoT)
- Graphics:
  - Intel® Iris® X<sup>e</sup> graphics, 1.3GHz
  - Max resolution: 4096 x 2304@60Hz (HDMI)
  - DirectX: 12.1, OpenGL: 4.6

### Memory

- 2 x SO-DIMM, DDR4-3200MHz
- 4GB+4GB in default, 64GB in max.
- ECC (in-band ECC), dual-channel support

### Storage

- 1 x 2.5" SSD (15mm height)
- 1 x mPCIe for mSATA (SATA 3.0)
- 1 x M.2 2242/2280 Key M NVMe SSD (PCIe 4.0x4), Hailo AI card in option

### Expansion slots

- 1 x mPCIe socket (PCIe 3.0 + USB 2.0/ USB 3.2), 2 x micro SIMs supported
- 1 x M.2 3042/3052 Key B socket (USB 3.2), 2 x micro SIMs supported
- 1 x M.2 2230 Key E socket (PCIe 3.0 x2 & USB 2.0), Wi-Fi or Hailo AI card in option

### Display

- 1 x HDMI 2.0a/b, up to 3840 x 2160@60Hz
- 1 x VGA, up to 2560 x 1600@60Hz

- 1 x DP, 4096 x 2304@60Hz

### 2.5GbE

- 2-port independent 2.5GbE, RJ45 connector
  - 9K byte jumbo frame
  - PTP (IEEE 1588) support
  - Controller: Intel® I225-IT

### GbE

- 1-port independent GbE, RJ45 connector
  - vPro (iAMT) support
  - 9K byte jumbo frame
  - PTP (IEEE 1588) support
  - Wake-up function (WoL)
  - Boot from PXE (UEFI)

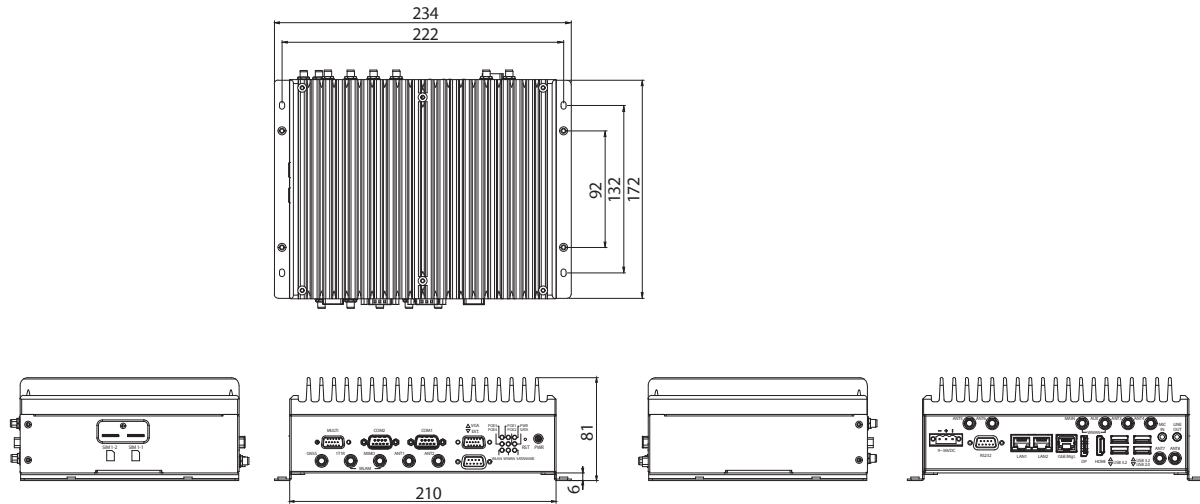
### USB

- 3 x USB3.2 Gen1:
  - Host type-A connector
  - 5V@900mA each
  - Up to 10Gbit/s link speed & compliance with USB 2.0 (LS/FS/HS link speed)
- 1 x USB 2.0, host type-A, 2 x USB 2.0 wafer-type reserved

### Serial Port

- 2 x full RS232/422/485, selectable
- 1 x full RS232, 1 x full RS232 wafer-type reserved
  - RS232 working voltage, +- 9V, baud rate up to 115.2kb/s

## Dimension Drawing



### Security

- TPM 2.0: Infineon SLB9665TT2.0FW5.62

### Audio

- Line-out, unbalance stereo, left & right channel
- MIC-in, stereo
- Line-in reserved (wafer connector)

### MEMS Sensor

- 3D accelerometer and 3D gyroscope
- Controller: ST LSM6DSLTR

### DI/DO

- 4-bit input
  - Source: 9~36VDC (12V@1.1mA/24V@2.2mA)
  - External: 0~33VDC pull-high, high-level, 3.3 - 33 VDC; low-level, 0 - 2 VDC
- 4-bit output
  - Source: 9~36VDC (nominal 35mA@24V):
  - External: 5~27VDC pull-high, sink current w/ 220mA for each bit, 500mA max (@25C)
- Source or external can be selected by DIP switch (default: source type)

### CAN bus

- 1 x CAN 2.0A/ 2.0B
- IEC 61000-4-2 Electrostatic Discharge (ESD): ± 8KV/15KV (contact/air)
- 2.5KV isolated

### GNSS

- U-blox NEO-M9N GNSS module for GPS/GLONASS/QZSS/Galileo/Beidou
- Optional DR (Dead Reckoning) function, NEO-M8U/M8L

### Power Supply

- Nominal voltage: 9~36V
- Cranking voltage: 6V~9V (less than 20 sec)
- OCP & UVP (shut down once exceeding 37V)
- Ignition on/off control & programmable on/off delay timer
- Optional for remote power on/off control

### I/O ports, Front-plate

- ATX power button, Reset button
- 9 x LED Indicators, 1 x VGA (DB15), 2 x COM (DB9, RS232/422/485), 1 x Multi-port (DB15, 4xDI, 4xDO, CAN, DR signal), 1 x Ext. (DB15, reserved), 1 x PR-SMA for GNSS, 4 x PR-SMA for WLAN

### I/O ports, Rear-plate

- 2 x Audio jack (Line-out & MIC-in)
- 3 x USB 3.2 type A, 1 x USB 2.0 type A
- 1 x HDMI, 1 x DP, 4 x PoE+ (2.5GbE, RJ45), 1 x COM (DB9, RS232), 1 x

GbE, 9~36VDC (3-pin Phoenix), 4 x SMA for WWAN, 4 x antenna holes reserved

### I/O ports, side-plate

- 2 x SIM slots (SIM1-1, SIM2-1)

### Dimensions & Weight

- 210.0mm x 173.0mm x 75.0mm (w/o mount brackets)
- 234.0mm x 173.0mm x 81.0mm (w/ mount brackets)
- Weight: 3.5kg

### Environment

- Operating temperatures: -30°C~65°C (15W TDP)
- Storage temperatures: -40°C~85°C
- Relative humidity: 10%~95% (non-condensing)

### Vibration & Shock

- Vibration in operating:
  - MIL-STD-810H, 514.8C Procedure 6, Category 4
  - IEC 60068-2-64: 2.0g@5~500Hz
- Vibration in storage:
  - MIL-STD-810G, 514.6E Procedure 1, Category 24, 7.7g
- Shock:
  - MIL-STD-810G, 516.6 Procedure I, trucks and semi-trailers=40g
  - Crash hazard: Procedure V, ground equipment=75g

### Certifications

- CE approval, FCC Class A, UKCA, E13 Certified

### Operating System

- Windows 10 64-bit/Windows 10 IOT 64-bit, Windows 11
- Linux (Ubuntu 18.04)

### External Cable (option)

- DB15 multi-port adapter cable, 20cm

## Ordering Information

### • VTC 7260-5HBIoT (P/N: TBC)

Intel® Core™ i5 (Tiger Lake UP3), 2 x 2.5GbE + 1 x GbE, 1 x USB 2.0, 3 x USB 3.2, 2 x RS232/422/485, 1 x 2.5"SSD, 1 x mSATA, 9~36VDC/IGN

### • VTC 7260-7HBIoT (P/N: TBC)

Intel® Core™ i7 (Tiger Lake UP3), 2 x 2.5GbE + 1 x GbE, 1 x USB 2.0, 3 x USB 3.2, 2 x RS232/422/485, 1 x 2.5"SSD, 1 x mSATA, 9~36VDC/IGN