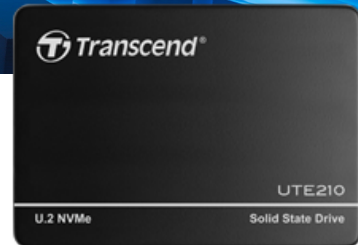


Embedded Solutions



U.2 SSD

UTE210T

Transcend's U.2 SSD UTE210T is built by the 112-layer 3D NAND flash, an 8-channel controller, and a PCIe Gen 4x4 interface, setting new benchmarks in data transfer efficiency. Its built-in DRAM cache enables fast random read and write speeds, while the anti-sulfur resistor guarantees high storage reliability in harsh conditions. The UTE210T also features superior heat dissipation, enabling high-speed operations without the risk of overheating.

The U.2 SSD UTE210T is also designed with a built-in tantalum capacitor, facilitating the Power Loss Protection (PLP) function. During unexpected power outages, the SSD guarantees data integrity and storage reliability, safeguarding important information. Transcend's UTE210T is 100% chamber tested in-house for extended operating temperatures ranging from -20°C to 75°C, suitable for high performance computing (HPC), data centers, big data analytics, online transaction processing (OLTP), high-resolution image streaming, and AI applications, etc.

Hardware Features

- Compliant with RoHS 2.0 standards
- Compliant with PCI Express specification 4.0
- PCIe Gen 4 x4 interface
- Endurance: 3K P/E cycles (Program/Erase cycles) guaranteed
- Anti-sulfur technology implemented to prevent sulfurization in the environment

Ordering Information

512GB	TS512GUTE210T
1TB	TS1TUTE210T
2TB	TS2TUTE210T
4TB	TS4TUTE210T
8TB	TS8TUTE210T

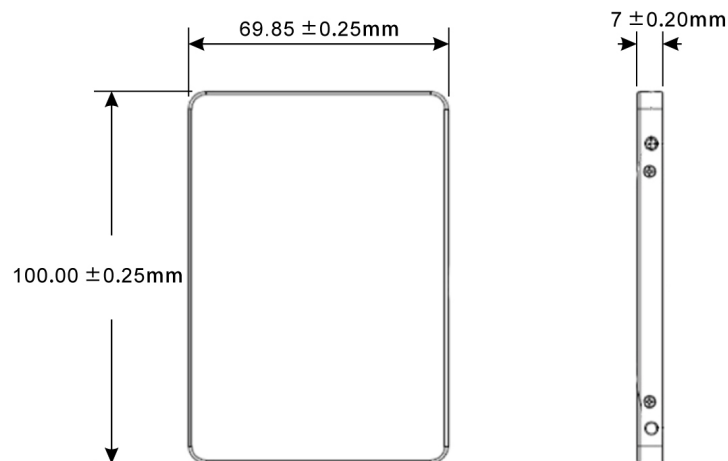
Firmware Features

- Advanced Global Wear-Leveling and Block management for reliability
- Supports S.M.A.R.T. function to conduct health monitoring, analysis, and reporting for storage devices
- Advanced Garbage Collection
- Built-in LDPC ECC (Error Correction Code) functionality
- Dynamic thermal throttling

Specifications

Appearance	Dimensions	100 mm x 69.85 mm x 7 mm (3.94" x 2.75" x 0.28")
	Weight	60 g (2.11 oz)
	Form Factor	U.2 2.5"
Interface	Bus Interface	NVMe PCIe Gen4 x4
Storage	Capacity	512 GB / 1 TB / 2 TB / 4 TB / 8 TB
	Flash Type	112-layer 3D NAND flash
Operating Environment	Operating Voltage	12.0V±5%
	Operating Temperature	Extended Temp. -20°C (-4°F) ~ 75°C (167°F)
	Storage Temperature	-55°C (-67°F) ~ 85°C (185°F)
	Humidity	5% ~ 95%
	Shock	1500 G, 0.5 ms, 3 axis
	Vibration (Operating)	20 G (peak-to-peak), 7 Hz ~ 2000 Hz (frequency)
Power	Power Consumption (Operation)	9.0 watt(s)
	Power Consumption (IDLE)	1.0 watt(s)
Performance	Sequential Read/Write (CrystalDiskMark)	Read: up to 7,000 MB/s Write: up to 6,300 MB/s
	4K Random Read/Write (IOmeter)	Read: up to 580,000 IOPS Write: up to 460,000 IOPS
	Mean Time Between Failures (MTBF)	3,000,000 hour(s)
	Terabytes Written (TBW)	up to 3260 TBW
	Drive Writes Per Day (DWPD)	1.48 (3 yrs)
Warranty	Certificate	CE / UKCA / FCC / BSMI
	Warranty	Three-year Limited Warranty

Mechanical Dimensions



Product specifications are subject to change without notice. Pictures shown may differ from actual products. Total accessible capacity varies depending on operating environment. Due to the complexity and variety of industrial applications, Transcend cannot guarantee 100% compatibility with all platforms and under all scenarios. For special applications and environments, it is strongly suggested that you contact Transcend beforehand for clarification.