



Main Features

- 28.8" TFT-LCD 1920 x 600 bar-type fanless panel computer
- Powered by Intel Atom® x5-E3930 processor, 1.3GHz
- Wide-range DC input of 9V to 36V DC
- Support ignition control for power on/off delay timing management
- Compliant with IP54 on the front panel
- Tempered glass, surface hardness 6H
- 1 x DDR3L up to 8GB, M.2 2242 Key B SSD for storage device
- 1 x mini-PCIe expansion available for wireless communication
- CE/FCC/E/e-Mark

Product Overview

The 28.8" fanless bar-type panel pc, TPPC 2902 is a 28.8" 1920x600 bar-type TFT-LCD and industrial motherboard making it the perfect "AIO" in transit panel PC solution. Wide-range power input (9V-36V DC) can let TPPC 2902 to be capable of setting up in various application environment and vehicles, which is included in retail outlets, supermarkets, train station, airport and bus. It is compliant to in-vehicle industrial standard, like E/e-Mark.

Specifications

LCD Panel

- LCD size: 28.8 bar-type
- Resolution: 1920 x 600
- Luminance: 500 nits cd/m²
- Contrast ratio: 1,400
- LCD color: 16.7M
- View angle: 178 (H), 178 (V)
- Backlight: LED

System

- Intel Atom® x5 E3930 processor, 1.3GHz (burst mode: 1.8GHz)

System Front

- 1 x Ambient light sensor

Main Memory

- 1 x 204-pin DDR3L SO-DIMM socket, up to 8GB. Support up to 1866 Mhz, non-ECC and unbuffered memory

Rear I/O

- 1 x Power input connector, 6-pin (9V-36V DC & Ignition control)
- 1 x DB9 COM port for RS232/422/485
- 2 x RJ45 Intel® I210-AT gigabit LAN ports
- 4 x USB 3.0, support USB 2.0
- 1 x HDMI 1.4b (support 4K x 2K @30Hz)
- 1 x Line-in, Line-out with 16Ω Amplifier

Audio

- Realtek ALC888 audio codec

Storage Device

- 1 x M.2 2242 Key B SSD, up to 256G max.
- 1 x 2.5" SATA SSD reserved expansion

Expansion

- 1 x mini-PCIe full-size connector on board (support PCIe/USB)

Power Management

- 9V to 36V DC input (UPS: 12V, 24V and 36V)
- Ignition on/off control & programmable on/off delay timing

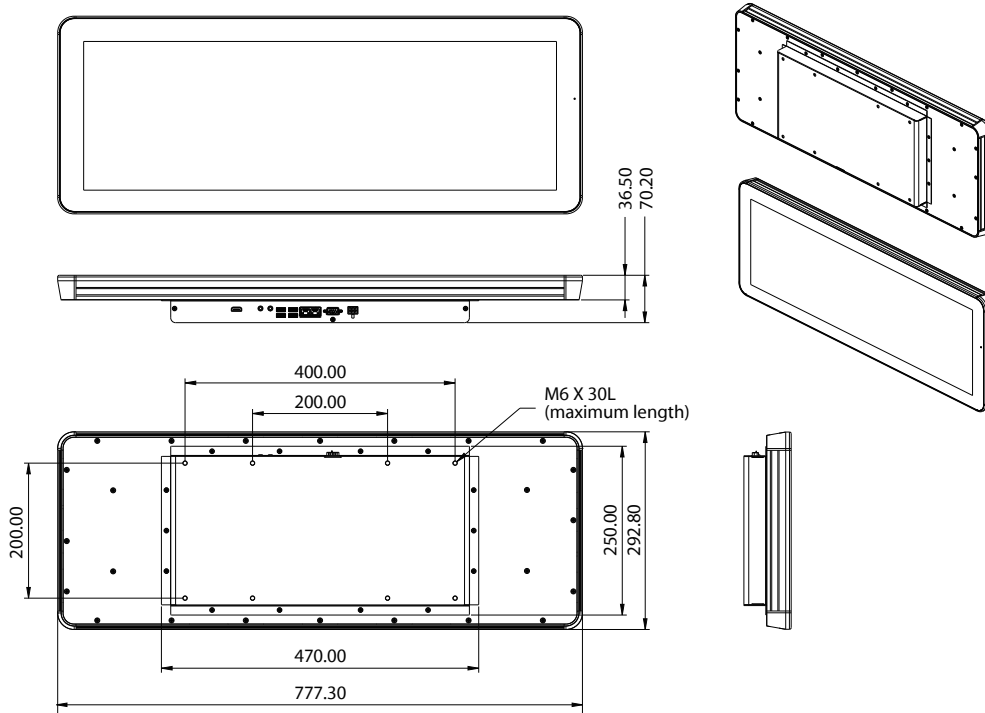
Environment

- Vibration
 - IEC60068-2-64
 - Operating: 1G, random, 5-500Hz, 1hr/axis (w/ storage)
- Drop
 - IEC60068-2-32
 - ISTA-2A STD
 - 13.9kg (packing weight) & 81cm (falling height)
- Temperature
 - Operating temperature: 0~50°C
 - Storage temperatures: 0~70°C
 - Damp heat test per EN60068-2-30, 45~55°C, 95%, 48hrs, non-condensing

Operating System Support

- Win10 IoT Enterprise 64-bit
- Linux Yocto 4.14

Dimension Drawing



Mechanical Information

- Color: black
- VESA mount (200mm x 200mm; 400mm x 200mm)
- Dimension: 777.3mm (W) x 292.8mm (D) x 70.2mm (H)
- System weight (N.W): 13.3kg, 29.32lb
- Package weight (G.W): 13.9kg, 30.64lb

Certification

- CE (EN55024, EN55032, EN55035)
- FCC Class A (Part 15B)
- E-mark: E-13, 12/24V
- Complied with ITxPT power consumption requirement

Ordering Information

- ♦ **TPPC2902_LPC (P/N: 10ID0290205X1)**
28.8" bar-type 1920x600 Passenger Information Panel PC,
Intel Atom® x5-E3930