



Main Features

- Intel Atom® x7000RE Processor Series
- Dual HDMI 2.0 support 4K@60Hz
- TPM2.0 on board design for security
- Dual LAN ports and 4 x USB 3.2 ports for easy connection
- Slim compact chassis and fanless design
- 1x M.2 2242 Key M with PCIe / SATA storage device
- 1x DDR4 SO-DIMM, max up to 16GB
- 1x miniPCIe slot for optional Wi-Fi or LTE module
- Support 12-24VDC power input

Product Overview

NDiS B339 visual edge computer, which is designed with Intel Atom® x7000RE Series SoC processors. A fanless industrial computer, the NDiS B339 is designed for edge computing applications amount Smart Retail sector and is superior in data collection within diverse environments. Equipped with a robust I/O interface, the NDiS B339 features 2 x RS232 ports, 2 x high-speed 2.5G LAN ports, 4 x USB ports, and 2 x HDMI 2.0 ports, providing seamless connectivity and versatility. Built to thrive in demanding conditions, the NDiS B339 supports a wide temperature range -20°C to 60°C, making it suitable for semi-outdoor installations, such as QSR drive through kiosks, intelligent vending machines, information stands, bus stops, or digital transit information signs. Its fanless design ensures silent and reliable operation, while the inclusion of 2 HDMI 2.0 ports enhances display capabilities for multimedia applications.

Specifications

System

- On-board Intel Atom® processor x7211RE, Dual Core, frequency up to 3.2 GHz, 6M Cache (formerly Amston Lake)
 - Intel® UHD Graphics
- On-board Intel Atom® processor x7213RE, Dual Core, frequency up to 3.4 GHz, 6M Cache (formerly Amston Lake)
 - Intel® UHD Graphics
- On-board Intel Atom® processor x7433RE, Quad Core, frequency up to 3.4 GHz, 6M Cache (formerly Amston Lake)
 - Intel® UHD Graphics

Main Memory

- 1 x 260-pin DDR4 3200 SO-DIMM, supports non-ECC, un-buffered memory up to 16G

I/O Interface-Front

- 1 x Power button with LED
- 4 x USB 3.2 port
- 2 x RJ45 for Intel I226V 2.5GbE LAN
- 2 x HDMI 2.0 (4K@60Hz)

I/O Interface-Rear

- 1 x 3-pin phoenix contact 24V DC input
- 2 x COM port
 - COM1: RS232/422/485
 - COM2: RS232
- 3 x Antenna hole

I/O Interface-Internal

- 2 x 6-pin header for 3 x USB 2.0 port
- 1 x 10-pin header for GPIO, 4 x GPI, 4 x GPO
- 1 x 4-pin pin header supporting speaker out Amplifier 2W/4Ω
- 1 x 9-pin pin header supporting Mic-in and Line-out
- 1 x 2-pin reset pin header
- 1 x 7 pin SATA & 2 pin SATA power connector

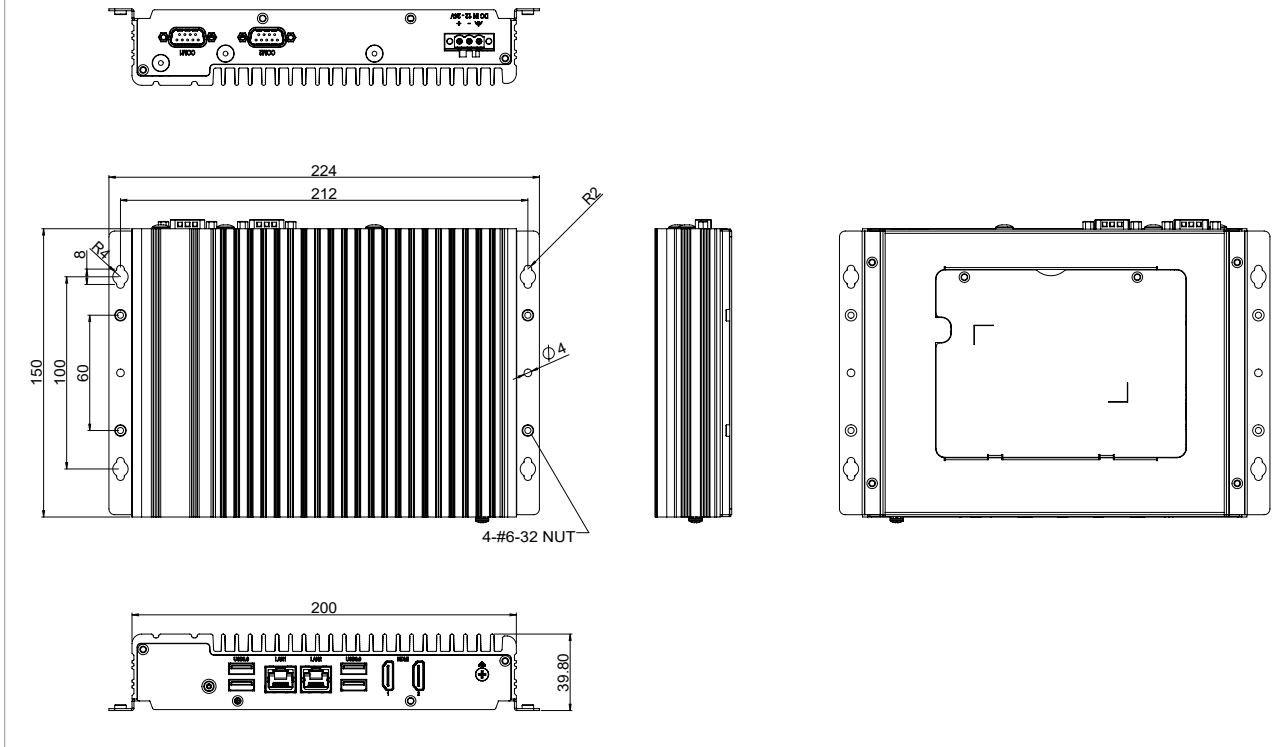
Storage

- 1 x M.2 2242 Key M (PCIe /SATA)

Expansion

- 1 x miniPCIe slot, support optional Wi-Fi or LTE modules

Dimension Drawing



Power Requirement

- Power input: 12-24V DC
- DC input type: 3-pin terminal block
- AC/DC power adapter: not include in accessory

Environment

- Operating temperature: -20°C to 60°C ambient with 0.7 m/s air flow
- Storage temperature: -20°C to 80°C
- Humidity: 10 to 90% (non-condensing)
- Shock protection: 50G peak acceleration, 11ms according to IEC60068-2-27
- Vibration protection
 - Random: 2Grms @ 5~500 Hz, IEC60068-2-64
 - Sinusoidal: 2G @ 5~500 Hz, IEC60068-2-6

Dimensions

- 224mm (W) x 150mm (D) x 39.8mm (H) (with mount bracket)

Operating System

- Win10
- Win 11
- Linux 5.15

Certifications

- CE (EN50035 + EN50032)
- FCC Class A (Part 15B)
- LVD (EN62368-1)

Package Information

- Q'ty per carton: 5 units / carton
- Net weight / per carton: 1.8 kgs / per carton (1.4 kgs / per unit)
- Gross weight / per carton: 10 kgs
- Carton dimension: 491(W) x 357(D) x 302(H) mm

Ordering Information

- **NDiS B339 (P/N: 10W00B33900X0)**
Slim & Fanless Visual Edge Computer power by Intel ATOM x7213RE processor
- **NDiS B339-X7211 (P/N: 10W00B33901X0)**
Slim & Fanless Visual Edge Computer power by Intel ATOM x7211RE processor
- **NDiS B339-X7433 ((P/N: 10W00B33902X0)**
Slim & Fanless Visual Edge Computer power by Intel ATOM x7433RE processor