

SR**AA

43"/49"/55"/65"/75"/86"

700nits Android SoC Digital Signage



Key Feature

- UHD Resolution
- Super Slim Even Bezel
- Aluminum Frame Light weight Design
- 700 nits High Brightness
- 50,000 Hrs 7×24 Operation
- Android 9.0
- ARM Quad-Core Cortex-A53 SoC
- HDMI Input x 2
- Landscape & Portrait Installation support
- VESA Mounting Interface

Specification

Model	SR43AA	SR49AA	SR55AA	SR65AA	SR75AA	SR86AA
Display						
Screen Size (Diagonal)	43 inch	49 inch	55 inch	65 inch	75 inch	86 inch
Native Resolution	3840 (H) × 2160 (V)					
Aspect Ratio	16 : 9					
Brightness	700 nit (Typ.)					
Contrast	≥ 1200:1					
View Angle	178°(H) / 178°(V)					
Display Color	16.7M					
Response Time	8ms					
Operation Time (Hour/Day)	24/7					
Life Time (Light Source)	50,000 Hrs (Typ.)					
Surface treatment	25% Haze					

Interface

HDMI IN 2.0	×2 (HDMI1 ARC / HDMI 2)					
AV IN	×1 (3.5mm Earphone)					
USB 2.0	×2					
AUDIO OUT	500mVRMS(MAX) ×1					
RS232	×1					
RJ45	×1					
TF Card	×1					

Configuration

CPU	A53*4, up to 1.5GHz					
GPU	Multi-Core Mali-G52					
RAM/Storage	2G/16G					
OS	Android 9.0					
LAN	10/100M					
WIFI	802.11b/g/n					
Bluetooth	4.2					

Power

POWER SUPPLY	AC 100V ~ 240V@50/60HZ					
POWER CONSUMPTION	157W	163W	165W	190W	247W	350W
POWER CONSUMPTION (Standby)	0.5W	0.5W	0.6W	0.6W	0.6W	0.6W

Environment

Operation Temperature	0°C~50°C					
Operation Humidity	10%-85%					
Storage Temperature	-20°C~60°C					
Storage Humidity	5%-95%					

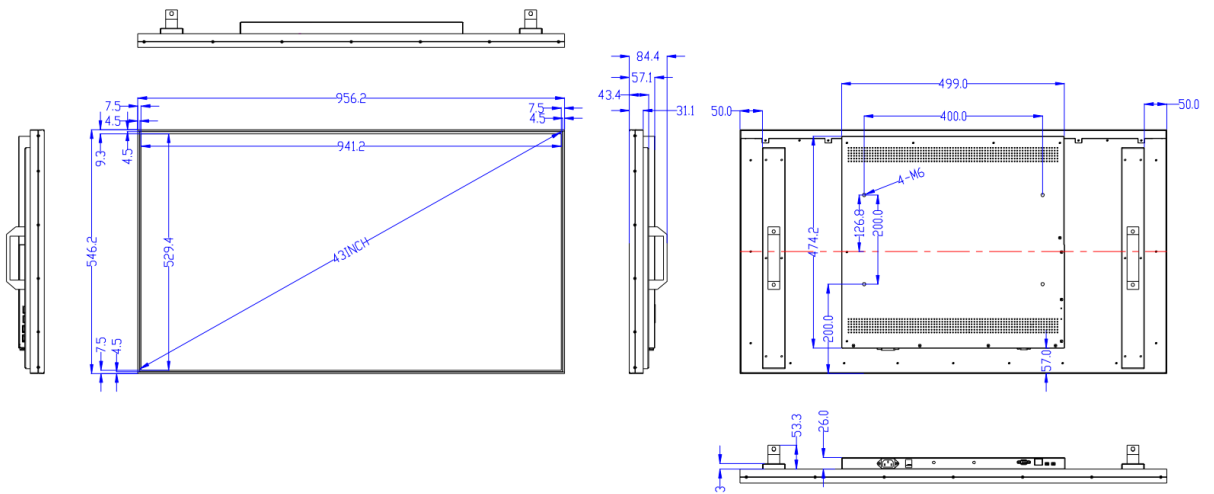
Specification

Model	SR43AA	SR49AA	SR55AA	SR65AA	SR75AA	SR86AA
Physical						
Color/Material	Black/Aluminum					
Bezel Width	6mm (L/R/T/B)					
Set Outline Dimension (W×H×D)	956×546 ×57.1mm	1088×619 ×57.1mm	1225×689 ×57.1mm	1444×820 ×57.1mm	1665×946 ×57.1mm	1908×1082 ×57.1mm
Package Dimension (W×H×D)	1115×209 ×700mm	1243×209 ×773mm	1379×209 ×853mm	1589×209 ×914mm	1819×209 ×1100mm	TBD
Set Weight	8.5KG	9.8KG	11.9KG	15.9KG	21KG	33KG
Packed Weight (1 Sets inside)	15KG	18KG	21KG	29KG	35KG	53KG
VESA Mounting Interface	400×200	400×300	400×300	400×400	400×400	400×400

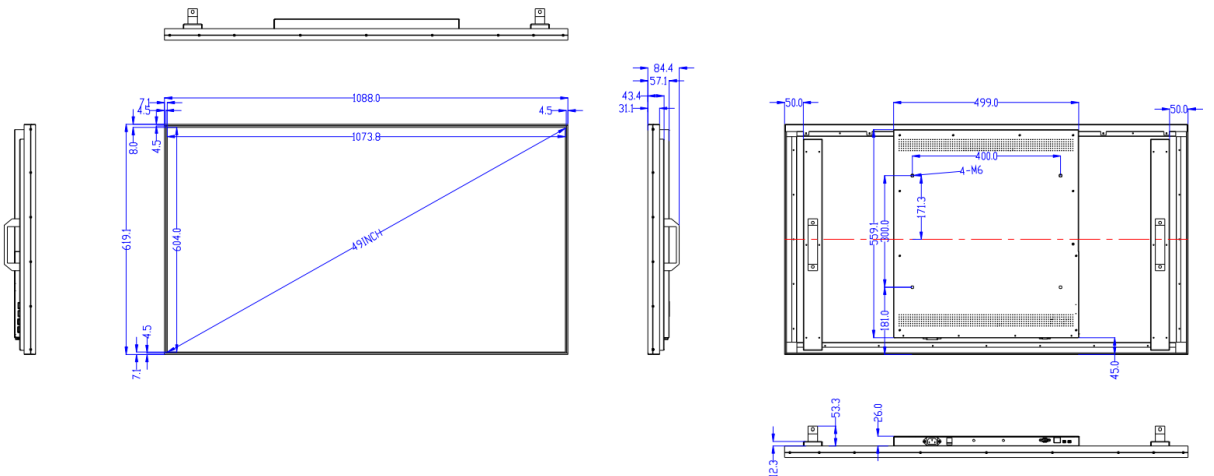
Dimension Drawing

SR43AA

Unit: mm



SR49AA

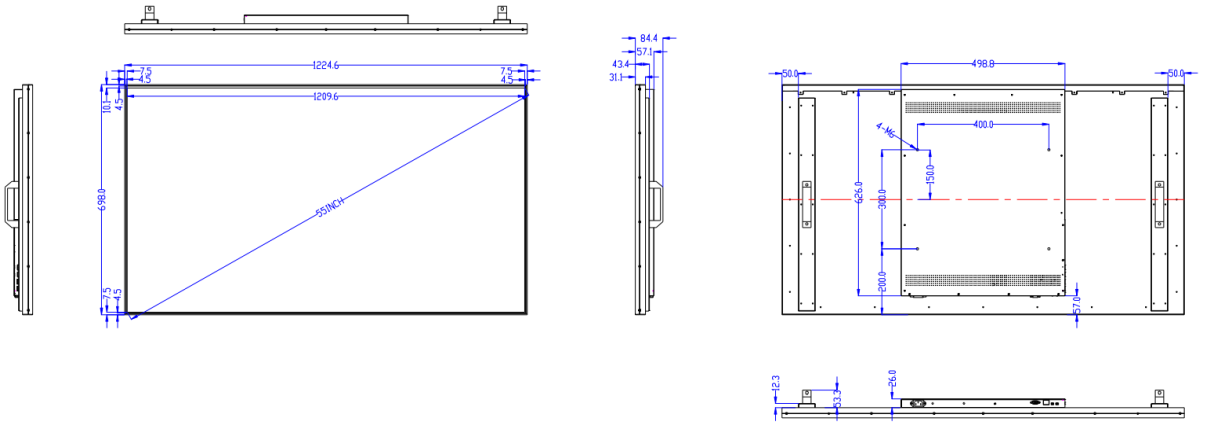


Specification

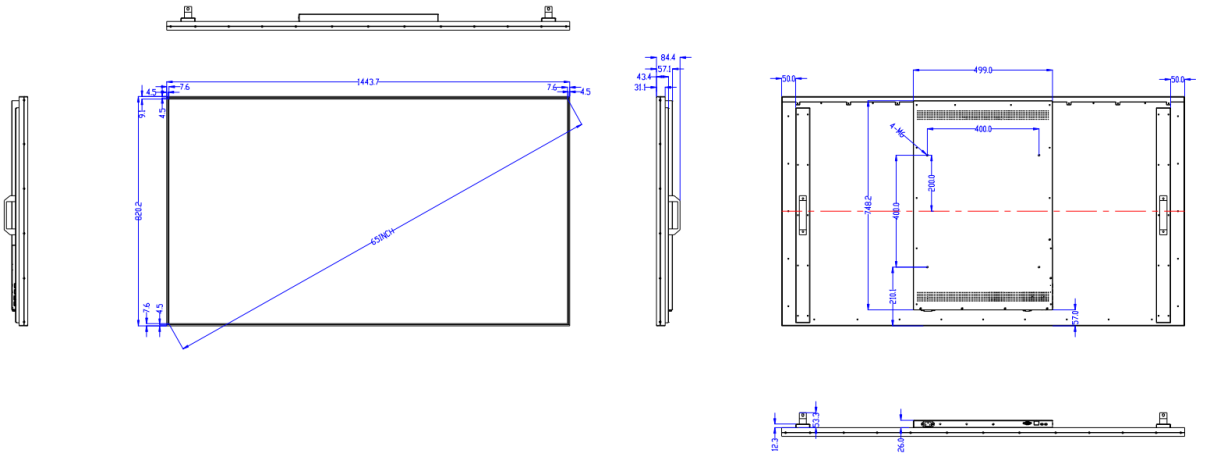
Dimension Drawing

SR55AA

Unit: mm



SR65AA



SR75AA

