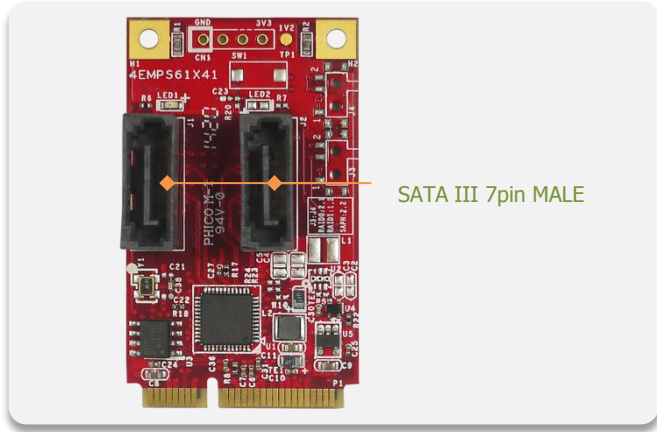


EMPS-3201

mPCIe to dual SATA III Module

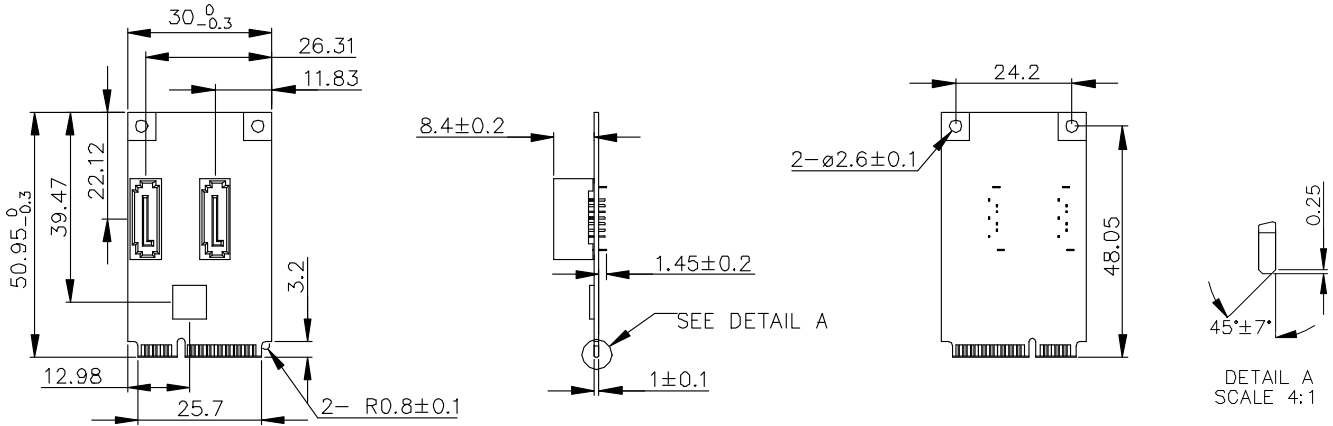


SATA III 7pin MALE

Features

- mPCIe to dual SATA III ports.
- Low power consumption.
- Supports AHCI, Port-Multiplier.
- Supports Native Command Queuing
- 30μ golden finger, 3 years warranty.
- Industrial design, manufactured in innodisk Taiwan

Mechanical Drawing



Specifications

Headquarters (Taiwan)

9F., No.100, Sec. 1, Xintai 5th Rd., Xizhi Dist., New Taipei City, Taiwan (R.O.C.)
Tel: +886-2-26963000
Email: sales@innodisk.com

Branch Offices:

USA
usasales@innodisk.com
+1-510-770-9421

Europe
eusales@innodisk.com
+31-040-282-1818

Japan
jpsales@innodisk.com
+81-45-594-7581

China
sales_cn@innodisk.com
+86-755-21673689

www.innodisk.com

© 2014 Innodisk Corporation.
All right reserved. Specifications are subject to change without prior notice.

July 8, 2014

Form-Factor	mPCIe
Input I/F	PCI Express 2.0
Output I/F	SATA III
Output Connector	SATA 7pin x 2
Max TDP	1W (3.3V x 320mA)
Dimension (WxLxH)	30 x 50.9 x 10.75 mm, Weight: 8.5g
Temperature	Operation: STD: 0°C ~ +70°C Storage: -55°C ~ +95°C
Environment	Vibration: 5G @7~2000Hz, Shock: 50G @ 0.5ms
Notes	

Order information

EMPS-3201-C1
mPCIe to dual SATA III Module