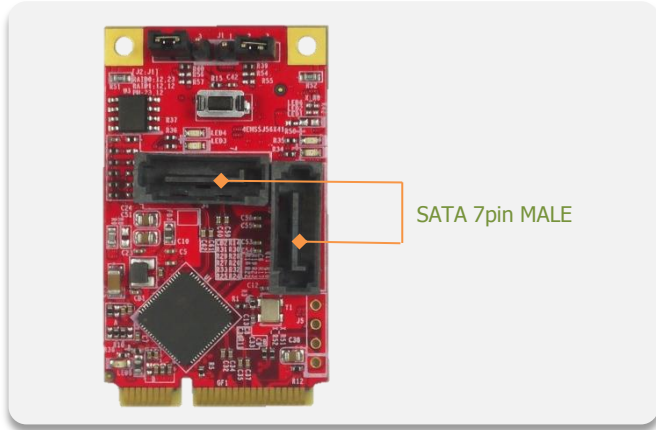


# EMSS-32R1

## mSATA to Dual SATA III RAID Module

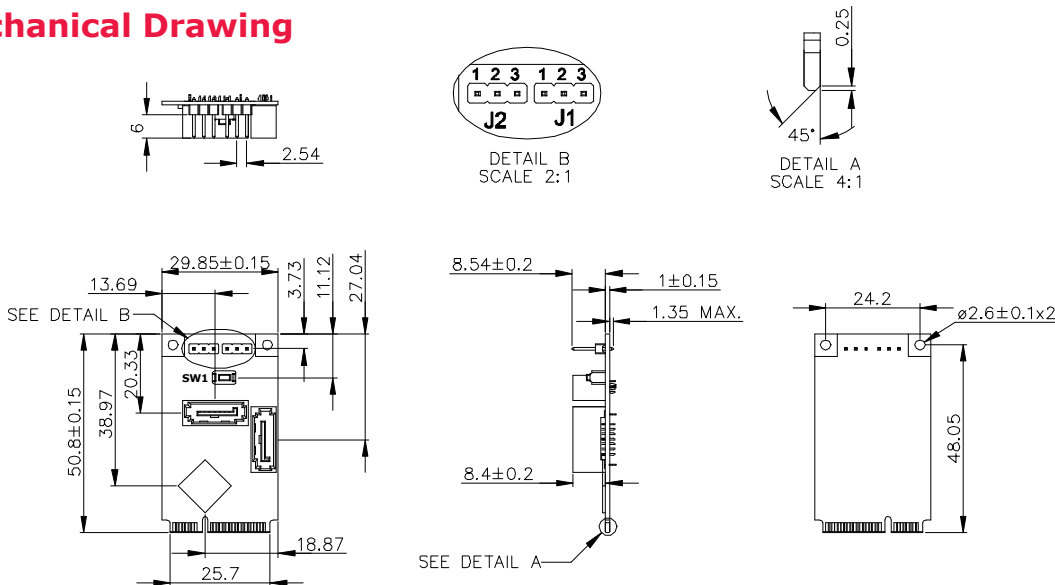


SATA 7pin MALE

### Features

- Supports mSATA to dual SATA III by Port Multiplier.
- Supports H/W RAID 0/1 over SATA.
- 30 $\mu$  golden finger, 3 years warranty.
- Industrial design, manufactured in innodisk Taiwan

### Mechanical Drawing



### Specifications

#### Headquarters (Taiwan)

9F., No.100, Sec. 1, Xintai 5th Rd., Xizhi Dist., New Taipei City, Taiwan (R.O.C.)  
Tel: +886-2-26963000  
Email: sales@innodisk.com

#### Branch Offices:

##### USA

[usasales@innodisk.com](mailto:usasales@innodisk.com)  
+1-510-770-9421

##### Europe

[euasales@innodisk.com](mailto:euasales@innodisk.com)  
+31-040-282-1818

##### Japan

[jpsales@innodisk.com](mailto:jpsales@innodisk.com)  
+81-45-594-7581

##### China

[sales\\_cn@innodisk.com](mailto:sales_cn@innodisk.com)  
+86-755-21673689

#### [www.innodisk.com](http://www.innodisk.com)

© 2014 Innodisk Corporation.  
All right reserved. Specifications are subject to change without prior notice.

June 26, 2014

Form-Factor	mSATA
Input I/F	SATA III
Output I/F	SATA III
Output Connector	SATA 7pin x 2
Max TDP	1.65W (3.3V x 498mA)
Dimension (WxLxH)	29.85 x 50.8 x 10.8 mm, Weight: 7g
Temperature	Operation: STD: 0°C ~ +70°C Storage: -55°C ~ +95°C
Environment	Vibration: 5G @7~2000Hz, Shock: 50G @ 0.5ms
Notes	1. RAID Mode Setting: [J2:J1] RAID0: 12:23, RAID1: 12:12, PM: 23:12 2. Press tact switch SW1 for reset.