

# TEK-1000V2

## 10.4" Vehicle Monitor

### Introduction

TEK-1000V2 is a rugged 10.4 inch XGA touch screen monitor designed for mobile applications. Available in 400nits, 600nits (HB) and 1200nits (SHB) brightness versions with wide angle viewing and Sunlight readable options it suits the most demanding applications. Select between Resistive or Multi-touch Projected Capacitive Touch panels depending on the user environment.

TEK-1000V2 includes a high featured controller allowing automatic and manual backlight adjustment, which makes it suitable for applications from the darkest night (NVIS) to the direct sunlight.

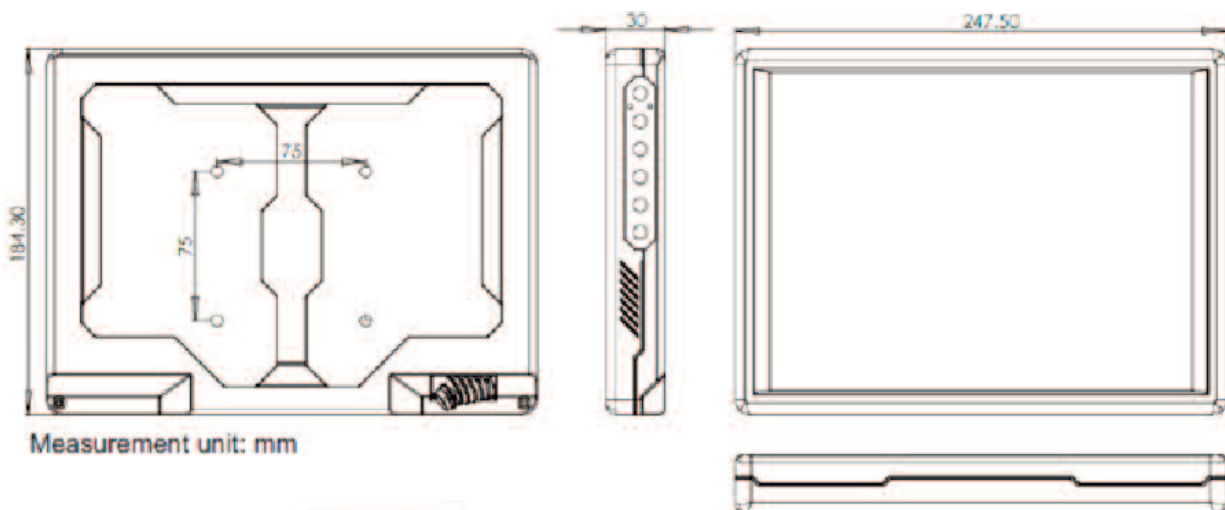
The TEK-1000V2 is available with VGA and Audio input as standard, optional DVI, HDMI, Composite Video and S-Video inputs. All inputs are available via the "all in one cable", with a lockable connector for an easy and quick installation.



### Main features

- \* High quality image with wide viewing angle, 178 (H)/ 150 (V), 179 (H)/ 179 (V) optional.
- \* High efficiency backlight.
- \* Sunlight readable.
- \* Backlight control, suitable from night vision to outdoor daylight applications.
- \* IP65 chassis.
- \* Designed for continuous vibration environments.
- \* Wide input voltage range with transient protection.
- \* Standard VESA mount.
- \* Industrial grade resistive touch.
- \* Industrial grade PCT touch.

### Drawing



# TEK-1000V2

## 10.4" Vehicle Monitor

### Specifications

Size	10.4 Inches
Aspect	4:3
Inputs	VGA, DVI, HDMI, 2 / 3 x Composite Video
Audio	2 x 1W
Touch Panel	Resistive USB/RS232, Endurance>2M touch. PCT multi-Touch optional
Power supply	9-36VDC automotive car/truck suitable
Power consumption	(N): 7W, HB:11W, SHB: 13W
Mounting	Stand alone and headrest accesories optional
Warranty	12 months
Certification	CE, e-mark*, EN50155*, CCC*

### Mechanical and enviromental specs

Dimensions	214 x 165.9 x 27 mm
Weight	900gr
Enclosure	Aluminium chassis/rear. PVC-ABS front with anti-polish painting
Operation temperature	-35°C to 70°C max (-20°C to 60°C continuous)
Storage temperature	-40°C to 85°C
Vibrations	1G 2-500Hz
Shock	20G 11ms
Drop	10cm max
Mounting	VESA 75mm mounting holes, Stand alone and headrest accesories.

### Optical specifications

Brightness	Normal: 400nits, HB:600nits, SHB:1200nits
Contrast	500:1
Colors	262K
Native resolution	1024x768px
Outdoor readability	Meets MIL-STD-3009 (sunlight readable version XF1000V2HB-US/RS/UPS)
NVIS	Optional NVIS B compliant

### ORDER INFORMATION

Code and Options: TEK-1000V2HB-X Y V A C

High Brightness	.....	:	:	:	:	:	:	:	:	C - Cable Option
X - Touch Screen Option		:	:	:	:	:	:	:	:	2.5: 2.5 meters
Resistive touch		:	:	:	:	:	:	:	:	4.5: 4.5 meters
U: USB	.....	:	:	:	:	:	:	:	:	C: Custom Cable
R: RS232		:	:	:	:	:	:	:	:	A - Audio Option
PCT touch		:	:	:	:	:	:	:	:	N:W/O Audio
UP: PCT touch		:	:	:	:	:	:	:	:	A: Stereo Audio
PM: Multi-touch PCT		:	:	:	:	:	:	:	:	
N: Non-touch		:	:	:	:	:	:	:	:	
Y - Usage Option	.....	:	:	:	:	:	:	:	:	V - Video Option
N: Normal		:	:	:	:	:	:	:	:	V: Video Input
D: Day Light readable		:	:	:	:	:	:	:	:	N: W/O Video
S: Sun Light readable		:	:	:	:	:	:	:	:	D: DVI Input

Example: TEK-1000V2HB-UPSVA2.5 10.4" 600nits backlight with PCAP touch, Sunlight readable, Video, Audio with 2.5m all in one cable.