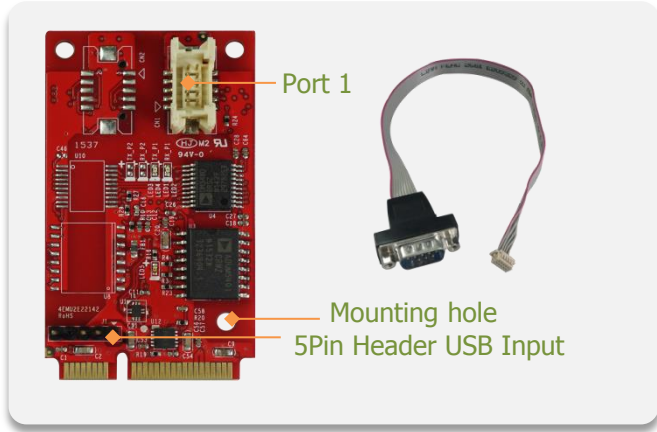


EMU2-X1S1

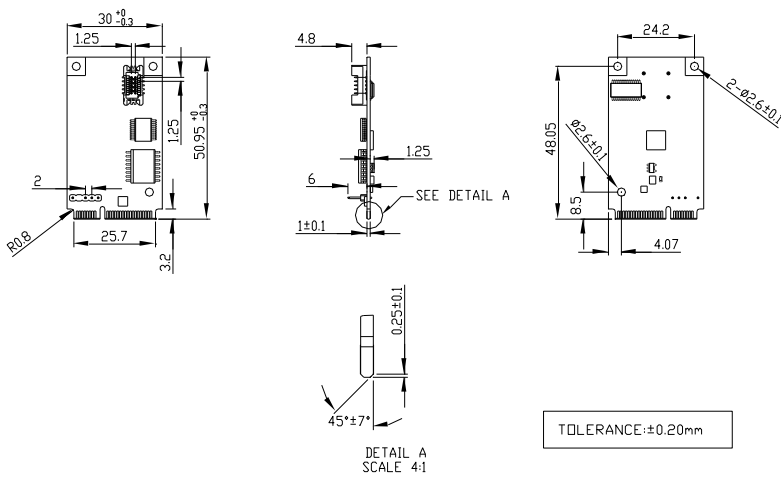
USB to Single Isolated RS-232 Module



Features

- USB specification Rev. 2.0 compliant
- Up to 1 Mbps serial data rate. 512-byte FIFOs
- Full RS232 functions with DB9 connector
- Supports port-to-port and port-to-computer isolation, complies with IEC 60950-1:2005 + A1: 2009 + A2:2013 2.5kV HiPOT protection
- Complies with EN61000-4-2 (ESD) Air-15kV, Contact-8kV
- Power LED, UART TX/RX access LED
- Supports 3rd mounting hole and USB Pin header for out-of-minicard installation
- Industrial temperature(-40 °C to 85 °C) operation
- 30μ " golden finger, 3 years warranty

Mechanical Drawing



RS232 Pin Assignment

Signal	Pin
CD	1
RXD	2
TXD	3
DTR	4
GND	5
DSR	6
RTS	7
CTS	8
RI	9

USB Pin Assignment

Signal	Pin
5V	1
D-	2
D+	3
GND	4

Specifications

Headquarters (Taiwan)
5F., No.237, Sec. 1, Datong Rd.,
Xizhi Dist., New Taipei City 221,
Taiwan

Tel: +886-2-7703-3000
Email: sales@innodisk.com

Branch Offices:

USA
usasales@innodisk.com
+1-510-770-9421

Europe
eusales@innodisk.com
+31-040-282-1818

Japan
jpsales@innodisk.com
+81-3-6667-0161

China
sales_cn@innodisk.com
+86-755-21673689

www.innodisk.com

© 2015 Innodisk Corporation.
All right reserved. Specifications
are subject to change without
prior notice.

January 27, 2016

Form-Factor	mPCIe
Input I/F	USB 2.0
Output I/F	RS-232
Output Connector	DB-9 x 1
TDP	0.528W (3.3V x 160mA)
Dimension (WxLxH)	30 x 50.9 x 6.1 mm
Temperature	Operation: W/T: -40°C ~ +85°C Storage: -55°C ~ +95°C
Environment	Vibration: 5G @7~2000Hz, Shock: 50G @ 0.5ms
Notes	Please download driver from MyInnodisk website. Windows: XP(32 bit), 7(32/64 bit), 8/8.1(32/64 bit), 10, WES7 Linux: Kernel 2.6.x and above.(We can provide Linux source for modification.)

Order information

EMU2-X1S1-W1(Wide Temp.)
USB to Single Isolated RS232 Module